

## Item description/product images



## Description

**Material:**

Thermoplastic.  
DIN 7984 screws and DIN 985 nuts steel.

**Version:**

Black.  
Screws and nuts electro zinc-plated.

**Note:**

These T-clamps are for 30 mm square tubes. Use reducer sleeves 29040 if smaller tubes are to be clamped or a conversion from square to round tubes is required.

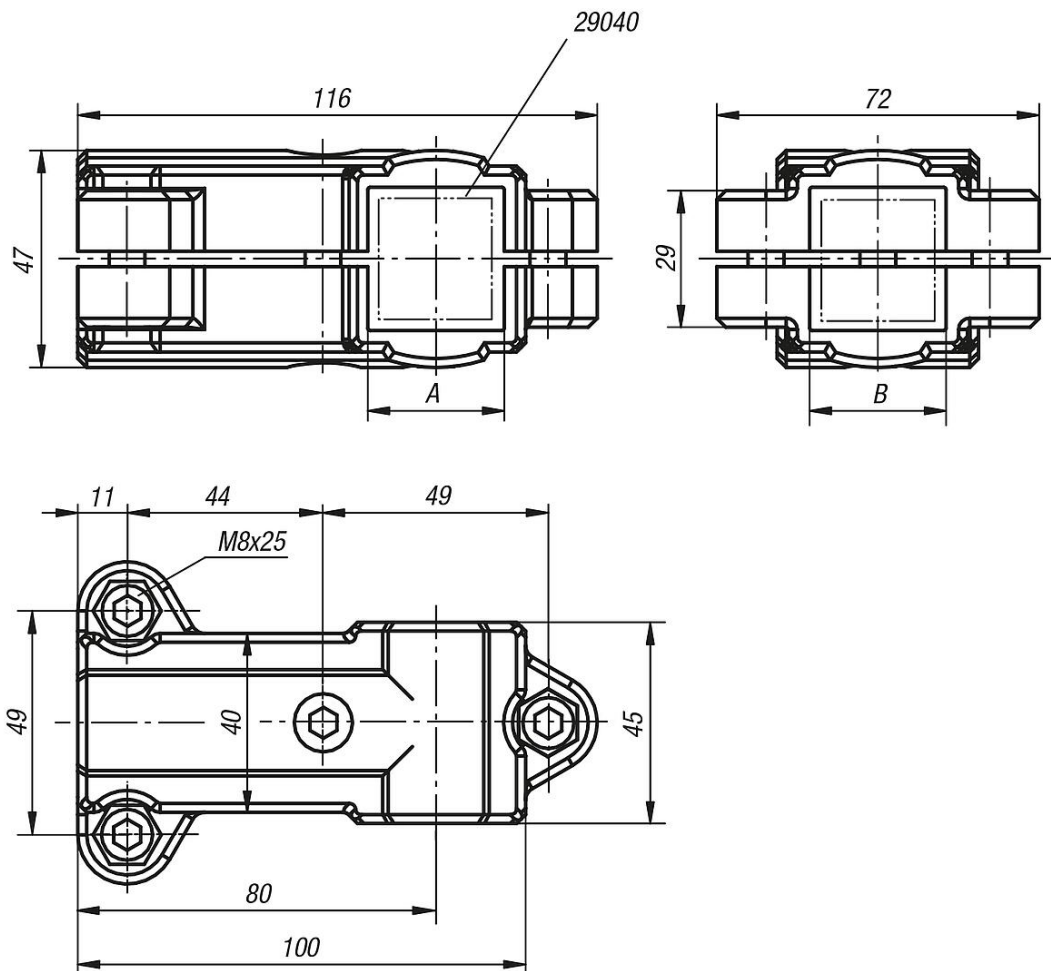
**On request:**

Plastic clamping levers for tightening.

**Accessory:**

- Reducer sleeves 29040
- Round and square tubes 29050

## Drawings



Overview of items

Order No.	A	B
29008-3030	30	30