

## Item description/product images

**Description****Material:**

Thermoplastic.

DIN 7984 screws and DIN 985 nuts steel.

**Version:**

Black.

Screws and nuts electro zinc-plated.

**Note:**

Tube swivel clamps can be seamlessly rotated through 180°.

The standard size for round tubes is  $\varnothing 18$  mm or  $\varnothing 30$  mm. Use reducer sleeves 29042 if smaller tubes are to be clamped or a conversion from round to square tubes is required.

**On request:**

Plastic clamping levers for tightening.

**Accessory:**

- Reducer sleeves 29042
- Round and square tubes 29050

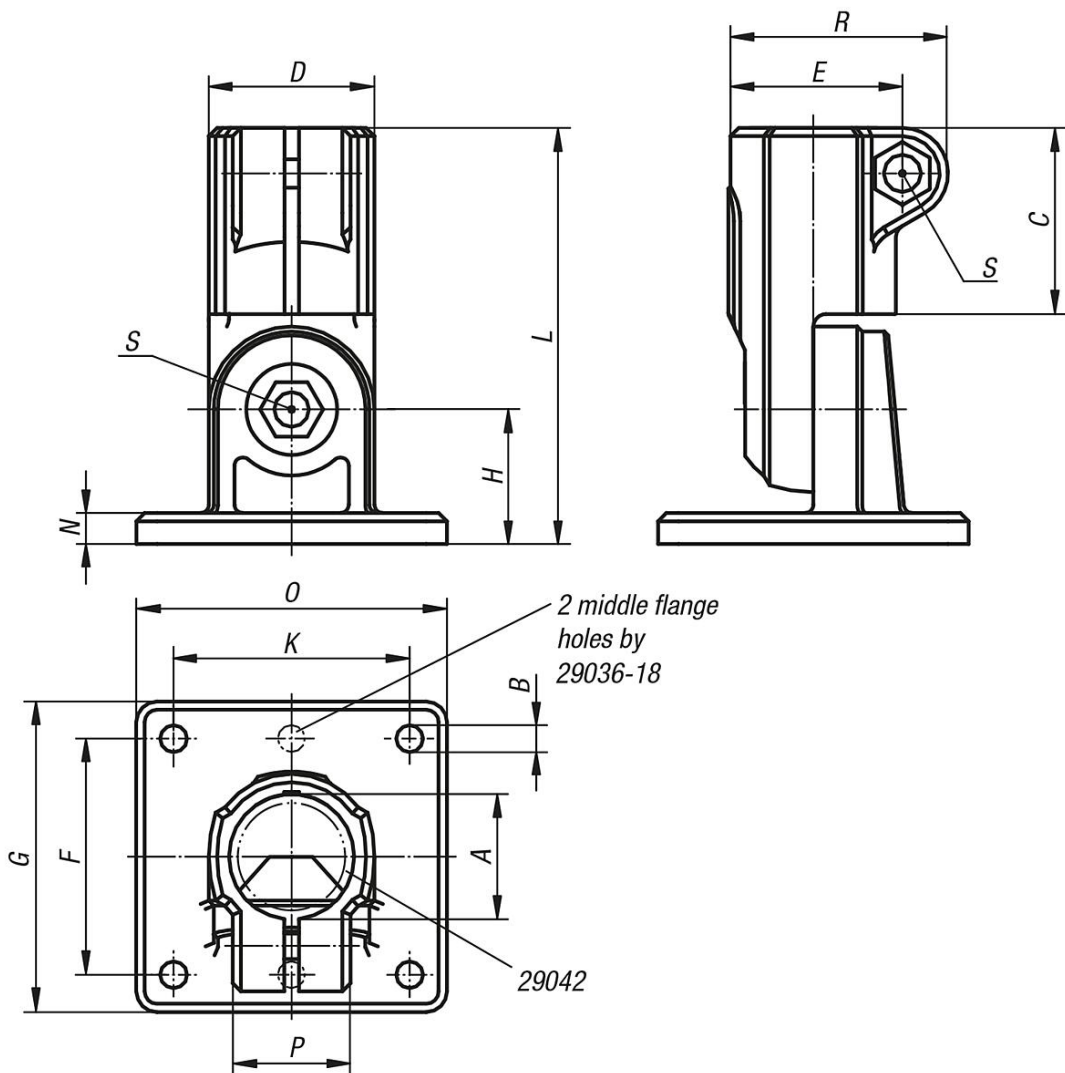
**Note:**

Tightening torque for clamping screws:

M6: 10 Nm

M8: 25 Nm

Drawings



Overview of items

Order No.	A	B	C	D	E	F	G	H	K	L	N	O	P	R	S
29036-18	18	5,3 (2x)	30	25	26,5	40	50	20	-	65	5	35	21	34	M6x18
29036-30	30	6,5 (4x)	45	40	41,5	60	75	32,5	60	100,5	7,5	75	28,5	52,5	M8x25