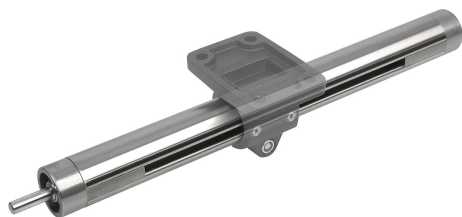


Item description/product images



Description

Material, version:

Precision tube DIN EN 10305, stainless steel 1.4301.
For type E 18, electro zinc-plated steel.
Trapezoid thread spindle steel, RH thread, rolled.

Note:

Medium speed range, self-locking.

On request:

LH thread, stainless steel, 2 drive pins, other travel lengths, handwheels.

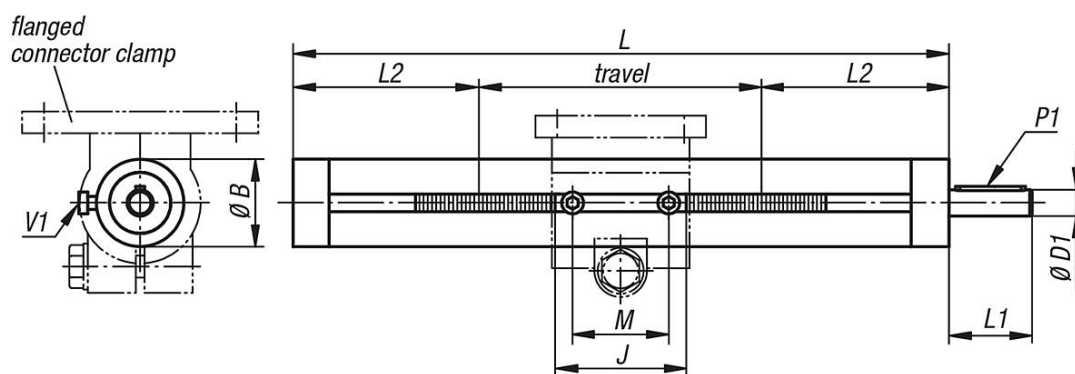
Accessory:

- Guide clamps 29120, 29125, 29130, 29135
- Tube clamps from our tube clamping system

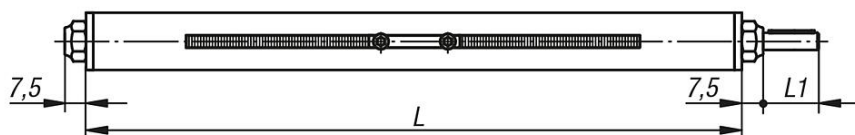
Functional principle:

A rotating movement of the threaded spindle is converted into a linear movement of the guide carriage.

Drawings



Linear actuator
29105-18...



Overview of items

Order No.	Version 1	Type E	Spindle	L	Travel S	B	D1	J	L1	L2	M	P1 parallel key DIN 6885	V1
29105-300001X300	with plain bearing	30	Tr 14x3	300	100	30	8 h8	38	26	100	28	2 x 2 x 20	M4x8
29105-300001X500	with plain bearing	30	Tr 14x3	500	300	30	8 h8	38	26	100	28	2 x 2 x 20	M4x8
29105-300001X800	with plain bearing	30	Tr 14x3	800	600	30	8 h8	38	26	100	28	2 x 2 x 20	M4x8
29105-400001X300	with plain bearing	40	Tr 20x4	300	91	40	12 h8	55	38	104,5	44	4 x 4 x 32	M6x10
29105-400001X500	with plain bearing	40	Tr 20x4	500	291	40	12 h8	55	38	104,5	44	4 x 4 x 32	M6x10
29105-400001X800	with plain bearing	40	Tr 20x4	800	591	40	12 h8	55	38	104,5	44	4 x 4 x 32	M6x10
29105-400001X1000	with plain bearing	40	Tr 20x4	1000	791	40	12 h8	55	38	104,5	44	4 x 4 x 32	M6x10
29105-500001X500	with plain bearing	50	Tr 20x4	500	265	50	12 h8	63	38	117,5	44	4 x 4 x 32	M6x10

Overview of items

Order No.	Version 1	Type E	Spindle	L	Travel S	B	D1	J	L1	L2	M	P1 parallel key DIN 6885	V1
29105-500001X800	with plain bearing	50	Tr 20x4	800	565	50	12 h8	63	38	117,5	44	4 x 4 x 32	M6x10
29105-500001X1000	with plain bearing	50	Tr 20x4	1000	765	50	12 h8	63	38	117,5	44	4 x 4 x 32	M6x10
29105-180101X300	with ball bearing	18	Tr 10x2	300	145	18	6 h9	24	17	77,5	18	2 x 2 x 12	M3x5
29105-180101X500	with ball bearing	18	Tr 10x2	500	345	18	6 h9	24	17	77,5	18	2 x 2 x 12	M3x5
29105-300101X300	with ball bearing	30	Tr 14x3	300	100	30	8 h8	38	26	100	28	2 x 2 x 20	M4x8
29105-300101X500	with ball bearing	30	Tr 14x3	500	300	30	8 h8	38	26	100	28	2 x 2 x 20	M4x8
29105-300101X800	with ball bearing	30	Tr 14x3	800	600	30	8 h8	38	26	100	28	2 x 2 x 20	M4x8
29105-400101X300	with ball bearing	40	Tr 20x4	300	91	40	12 h8	55	38	104,5	44	4 x 4 x 32	M6x10
29105-400101X500	with ball bearing	40	Tr 20x4	500	291	40	12 h8	55	38	104,5	44	4 x 4 x 32	M6x10
29105-400101X800	with ball bearing	40	Tr 20x4	800	591	40	12 h8	55	38	104,5	44	4 x 4 x 32	M6x10
29105-400101X1000	with ball bearing	40	Tr 20x4	1000	791	40	12 h8	55	38	104,5	44	4 x 4 x 32	M6x10
29105-500101X500	with ball bearing	50	Tr 20x4	500	265	50	12 h8	63	38	117,5	44	4 x 4 x 32	M6x10
29105-500101X800	with ball bearing	50	Tr 20x4	800	565	50	12 h8	63	38	117,5	44	4 x 4 x 32	M6x10
29105-500101X1000	with ball bearing	50	Tr 20x4	1000	765	50	12 h8	63	38	117,5	44	4 x 4 x 32	M6x10