

Item description/product images

**Description****Material:**

Housing steel.
Viewing glass thermoplastic polyamide.
O-ring and flat seal rubber (NBR).
Reflector aluminium.
Screw and hex nut steel.

Version:

Housing painted black.
Transparent viewing glass, high mechanical stability, non-ageing, temperature resistant with oil up to 100 °C, with water up to 70 °C.
Reflector painted white, markings and scale black.
Screw and hexagon nut, electro zinc-plated.

Note:

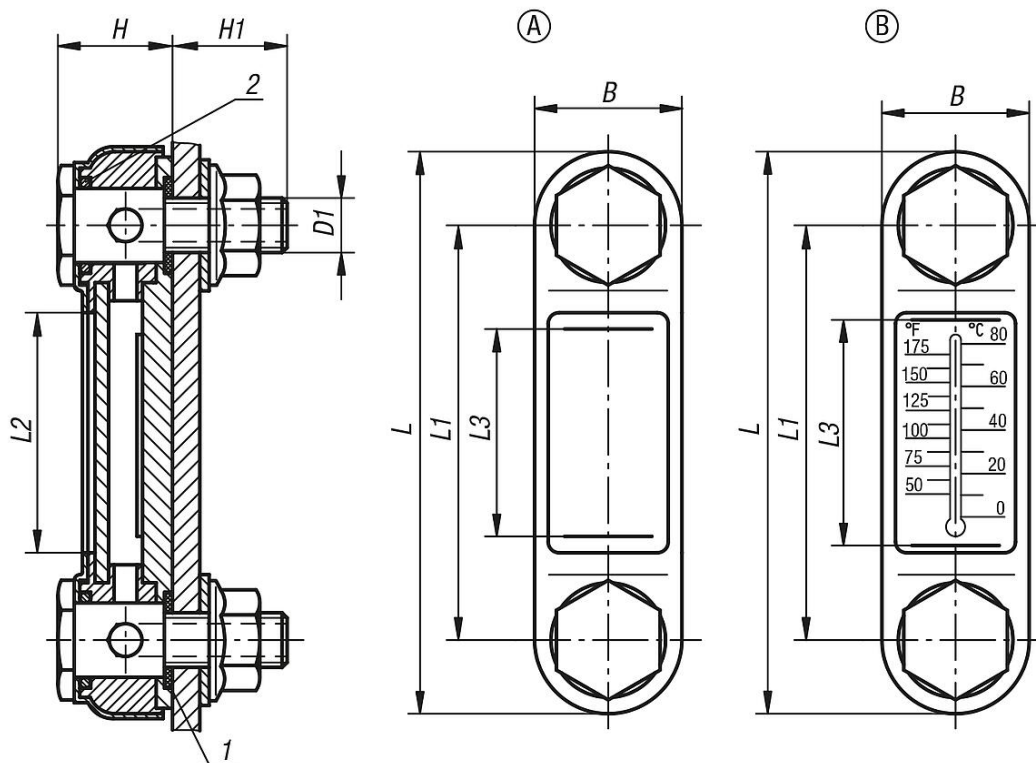
The oil level gauges can either be fastened as shown in the illustration or directly in the threaded hole.
Centre distance for the fastening holes = $L1 \pm 0.5$.
The oil level gauges are suitable for tanks operating without pressure.
Maximum operating temperature: 100 °C.

Drawing reference:

Form A: without thermometer
Form B: with thermometer

- 1) flat seal
- 2) O-ring

Drawings



Overview of items

| Order No. | Form | B | D1 | H | H1 | L | L1 | L2 | L3 | Number of fastening screws | Thermometer scale |
|--------------|------|----|-----|------|----|-----|-----|-----|-----|----------------------------|--------------------------|
| 28000-107610 | A | 31 | M10 | 24,5 | 20 | 107 | 76 | 39 | 37 | 2 | - |
| 28000-107612 | A | 31 | M12 | 24,5 | 20 | 107 | 76 | 39 | 37 | 2 | - |
| 28000-112710 | A | 31 | M10 | 24,5 | 20 | 156 | 127 | 90 | 80 | 2 | - |
| 28000-112712 | A | 31 | M12 | 24,5 | 20 | 156 | 127 | 90 | 80 | 2 | - |
| 28000-125412 | A | 34 | M12 | 33 | 17 | 286 | 254 | 200 | 178 | 2 | - |
| 28000-207610 | B | 31 | M10 | 24,5 | 20 | 107 | 76 | 39 | 37 | 2 | 0 - 80 °C / 50 - 175 °F |
| 28000-207612 | B | 31 | M12 | 24,5 | 20 | 107 | 76 | 39 | 37 | 2 | 0 - 80 °C / 50 - 175 °F |
| 28000-212710 | B | 31 | M10 | 24,5 | 20 | 156 | 127 | 90 | 80 | 2 | 0 - 100 °C / 50 - 200 °F |
| 28000-212712 | B | 31 | M12 | 24,5 | 20 | 156 | 127 | 90 | 80 | 2 | 0 - 100 °C / 50 - 200 °F |
| 28000-225412 | B | 34 | M12 | 33 | 17 | 286 | 254 | 200 | 178 | 2 | 0 - 100 °C / 50 - 200 °F |