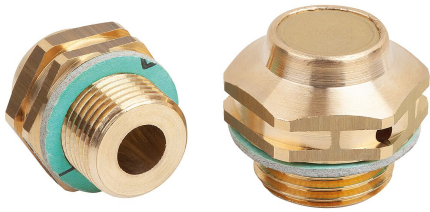


## Item description/product images



## Description

**Material:**

Housing and cap brass.

Air filter electro zinc-plated steel wire mesh.

**Version:**

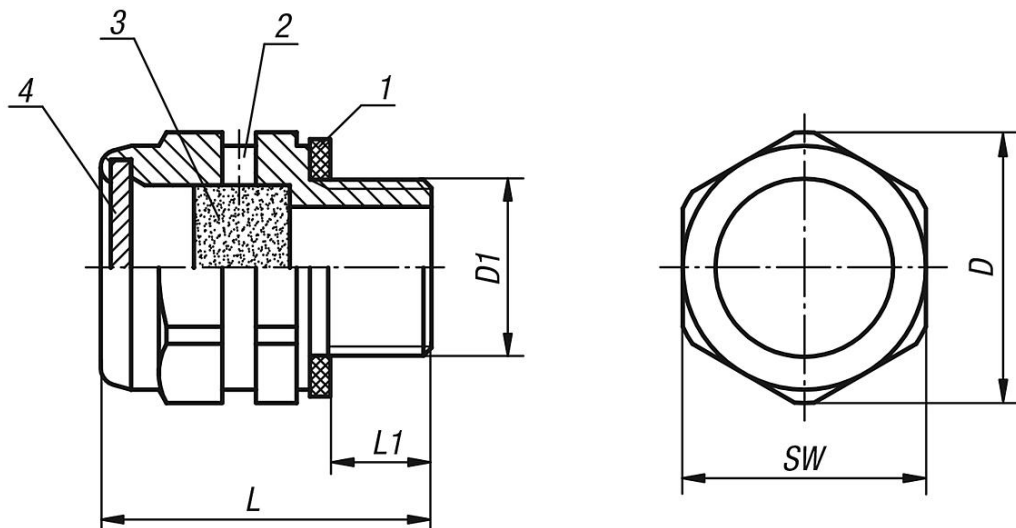
Air filter mesh 50 - 60  $\mu\text{m}$ .

Flat seal asbestos-free.

**Drawing reference:**

- 1) flat seal
- 2) vent hole 2x
- 3) air filter
- 4) cap

## Drawings



## Overview of items

Order No.	D	D1	L	L1	SW
28040-20014	20	G1/4	24,5	7,5	18
28040-24038	24,5	G3/8	24,5	8,5	22
28040-30012	30	G1/2	24,5	8,5	27