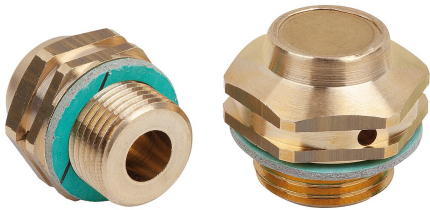


Item description/product images



Description

Material:

Housing and cap brass.
Spring stainless steel.
Lift disc brass.
O-ring NBR.

Version:

Flat seal asbestos-free.

Note:

Opening pressure 0.35 bar ($\pm 0,05$).

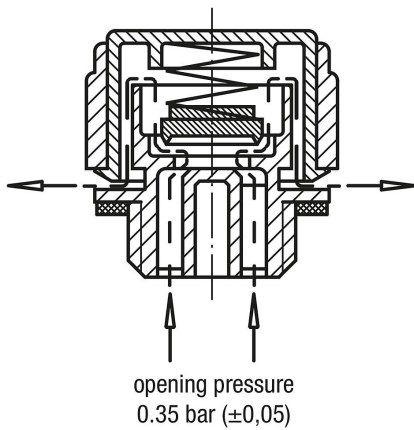
Functional principle:

See 28038 vent screws with check valve.

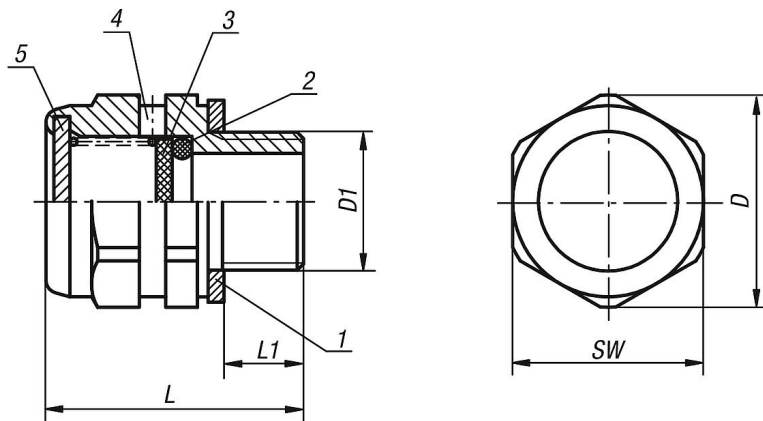
Drawing reference:

- 1) flat seal
- 2) O-ring
- 3) lift disc
- 4) vent hole 2x
- 5) cap

Operating principle



Drawings



Overview of items

Order No.	D	D1	L	L1	SW
28042-20014	20	G1/4	24,3	7,5	18
28042-24038	24,5	G3/8	24,5	8,5	22
28042-30012	30	G1/2	24,5	8,5	27

