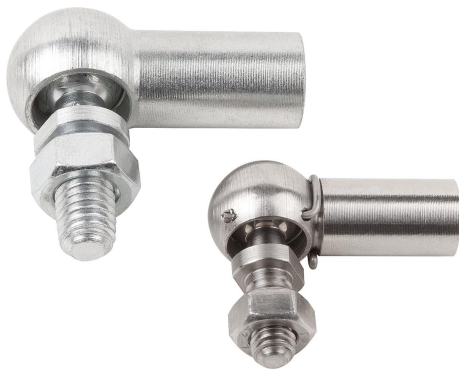


Item description/product images



Description

Material:

Steel or 1.4305 stainless steel.

Version:

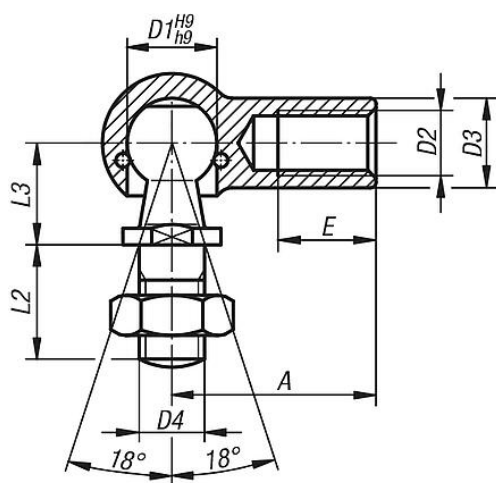
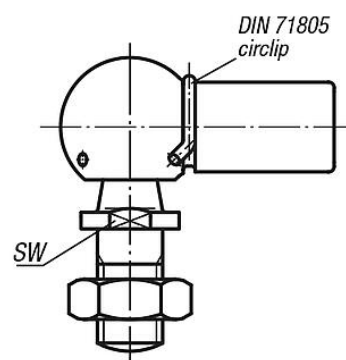
Trivalent passivated.

Stainless steel version bright.

Note:

LH thread refers to dimension D2.

Drawings

Form C
without circlipForm CS
with circlip

Overview of items

Order No.	Version 2	Form	Main material	D1	D2	D3	D4	A	L2	L3	E	SW
27650-0805	RH thread	C	steel	8	M5	8	M5	22	10,2	9	10,2	7
27650-1006	RH thread	C	steel	10	M6	10	M6	25	12,5	11	11,5	8
27650-1308	RH thread	C	steel	13	M8	13	M8	30	16,5	13	14	11
27650-1610	RH thread	C	steel	16	M10	16	M10	35	20	16	15,5	13
27650-1612	RH thread	C	steel	16	M12	16	M12	35	20	16	15,5	13
27650-1914	RH thread	C	steel	19	M14x1,5	22	M14x1,5	45	28	20	21,5	16
27650-1916	RH thread	C	steel	19	M16	22	M16	45	28	20	21,5	16
27650-080501	LH thread	C	steel	8	M5	8	M5	22	10,2	9	10,2	7
27650-100601	LH thread	C	steel	10	M6	10	M6	25	12,5	11	11,5	8
27650-130801	LH thread	C	steel	13	M8	13	M8	30	16,5	13	14	11
27650-161001	LH thread	C	steel	16	M10	16	M10	35	20	16	15,5	13
27650-161201	LH thread	C	steel	16	M12	16	M12	35	20	16	15,5	13
27650-191401	LH thread	C	steel	19	M14x1,5	22	M14x1,5	45	28	20	21,5	16
27650-191601	LH thread	C	steel	19	M16	22	M16	45	28	20	21,5	16
27650-080351	RH thread	CS	steel	8	M3,5	8	M4	18	10,2	9	8	7
27650-08051	RH thread	CS	steel	8	M5	8	M5	22	10,2	9	10,2	7
27650-10061	RH thread	CS	steel	10	M6	10	M6	25	12,5	11	11,5	8
27650-13081	RH thread	CS	steel	13	M8	13	M8	30	16,5	13	14	11
27650-16101	RH thread	CS	steel	16	M10	16	M10	35	20	16	15,5	13
27650-16121	RH thread	CS	steel	16	M12	16	M12	35	20	16	15,5	13
27650-19141	RH thread	CS	steel	19	M14x1,5	22	M14x1,5	45	28	20	21,5	16
27650-19161	RH thread	CS	steel	19	M16	22	M16	45	28	20	21,5	16
27650-080511	LH thread	CS	steel	8	M5	8	M5	22	10,2	9	10,2	7
27650-100611	LH thread	CS	steel	10	M6	10	M6	25	12,5	11	11,5	8
27650-130811	LH thread	CS	steel	13	M8	13	M8	30	16,5	13	14	11
27650-161011	LH thread	CS	steel	16	M10	16	M10	35	20	16	15,5	13

Overview of items

Order No.	Version 2	Form	Main material	D1	D2	D3	D4	A	L2	L3	E	SW
27650-161211	LH thread	CS	steel	16	M12	16	M12	35	20	16	15,5	13
27650-191411	LH thread	CS	steel	19	M14x1,5	22	M14x1,5	45	28	20	21,5	16
27650-191611	LH thread	CS	steel	19	M16	22	M16	45	28	20	21,5	16
27650-08052	RH thread	CS	stainless steel	8	M5	8	M5	22	10,2	9	10,2	7
27650-10062	RH thread	CS	stainless steel	10	M6	10	M6	25	12,5	11	11,5	8
27650-13082	RH thread	CS	stainless steel	13	M8	13	M8	30	16,5	13	14	11
27650-16102	RH thread	CS	stainless steel	16	M10	16	M10	35	20	16	15,5	13
27650-16122	RH thread	CS	stainless steel	16	M12	16	M12	35	20	16	15,5	13
27650-080521	LH thread	CS	stainless steel	8	M5	8	M5	22	10,2	9	10,2	7
27650-100621	LH thread	CS	stainless steel	10	M6	10	M6	25	12,5	11	11,5	8
27650-130821	LH thread	CS	stainless steel	13	M8	13	M8	30	16,5	13	14	11
27650-161021	LH thread	CS	stainless steel	16	M10	16	M10	35	20	16	15,5	13
27650-161221	LH thread	CS	stainless steel	16	M12	16	M12	35	20	16	15,5	13