

Item description/product images



Description

Material:

Steel or stainless steel 1.4301.

Version:

Steel trivalent blue passivated.

Stainless steel, bright.

Note:

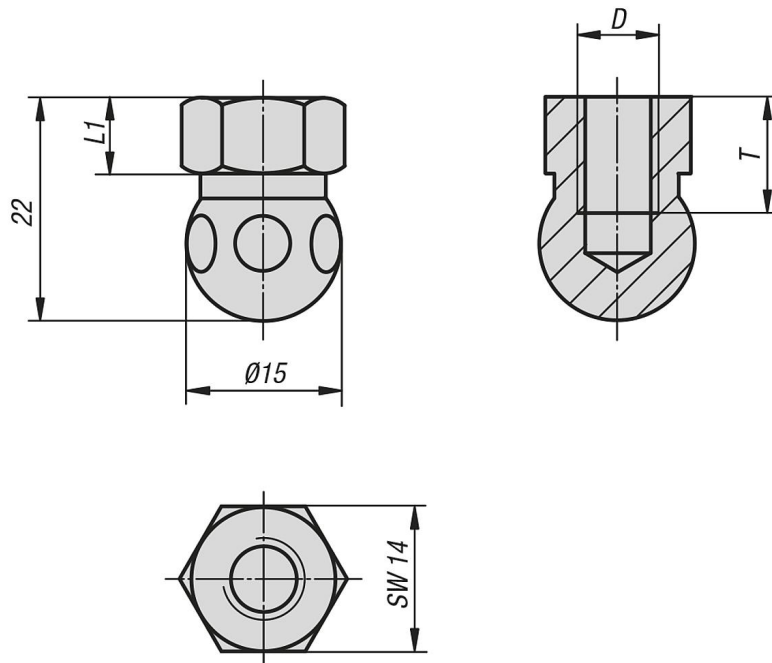
For fastening swivel feet with standard screws.

Swivel feet consist of a ball joint and a plate. Any ball joint can be combined with any plate.

The height of the complete swivel foot is calculated by the height of the hexagon + 22.5 mm.

(Overall height of swivel foot = $L1 + 22.5$ mm).

Drawings



Overview of items

Order No.	Main material	D	L1	T
27811-061	steel	M6	7,5	10
27811-062	stainless steel	M6	7,5	10

Overview of items

Order No.	Main material	D	L1	T
27811-081	steel	M8	7,5	10
27811-082	stainless steel	M8	7,5	10