

## Item description/product images



## Description

**Material:**

Plate die-cast zinc.  
Anti-slip plate thermoplastic elastomer.

**Version:**

Plate black powder-coated.

**Note:**

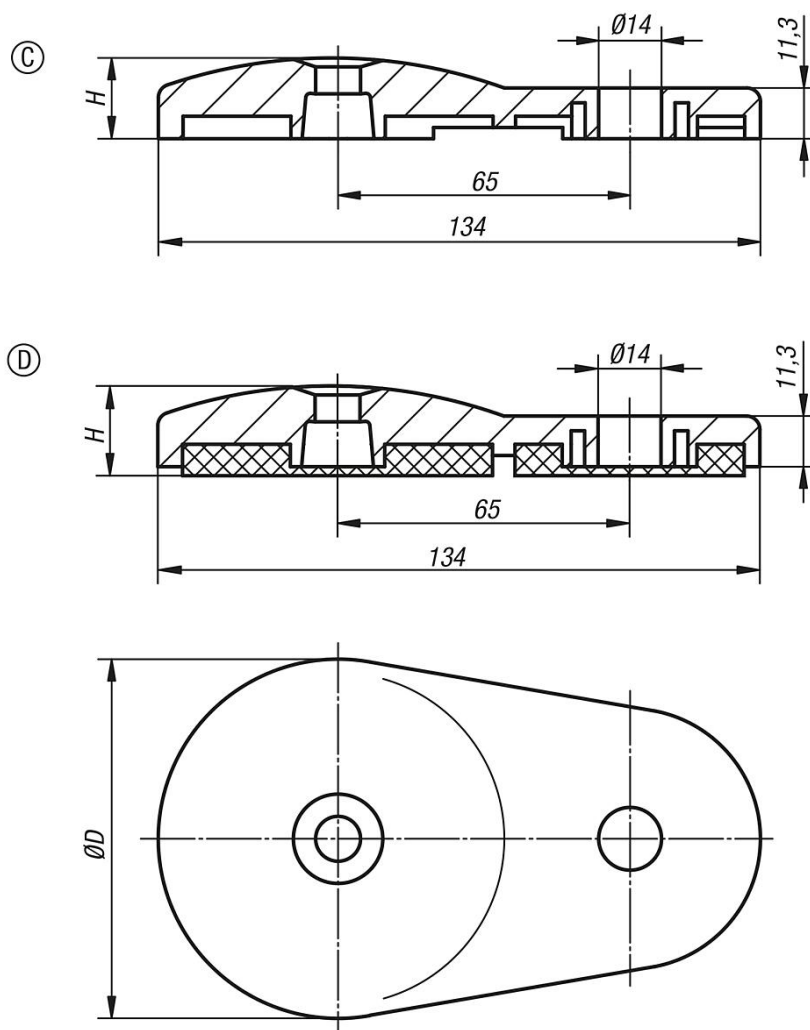
Levelling feet consist of a plate and a threaded spindle. Any plate can be combined with any threaded spindle. The anti-slip plate absorbs vibrations and prevents the levelling foot slipping. For matching threaded spindles see 27828.

**Drawing reference:**

Form C with screw-on hole, without anti-slip plate

Form D with screw-on hole, with anti-slip plate

## Drawings



## Overview of items

Order No.	Form	D	H	Load rating max. kN
27818-30801	C	80	18	35
27818-40801	D	80	20	35