

Item description/product images

**Description****Material:**

Hinge and lever fibreglass reinforced thermoplastic.
Hinge pin steel.
Mechanism steel.

Version:

Hinge black.
Pin electro zinc-plated.
Locking lever black.
Mechanism black electro zinc-plated.

Note:

The indexible lever enables the hinge to be locked in any position.

The loading values given for the hinges are non-binding reference values without consideration of safety factors and exclude any liability. The values given are for information purposes only and do not constitute a legally binding assurance of properties.

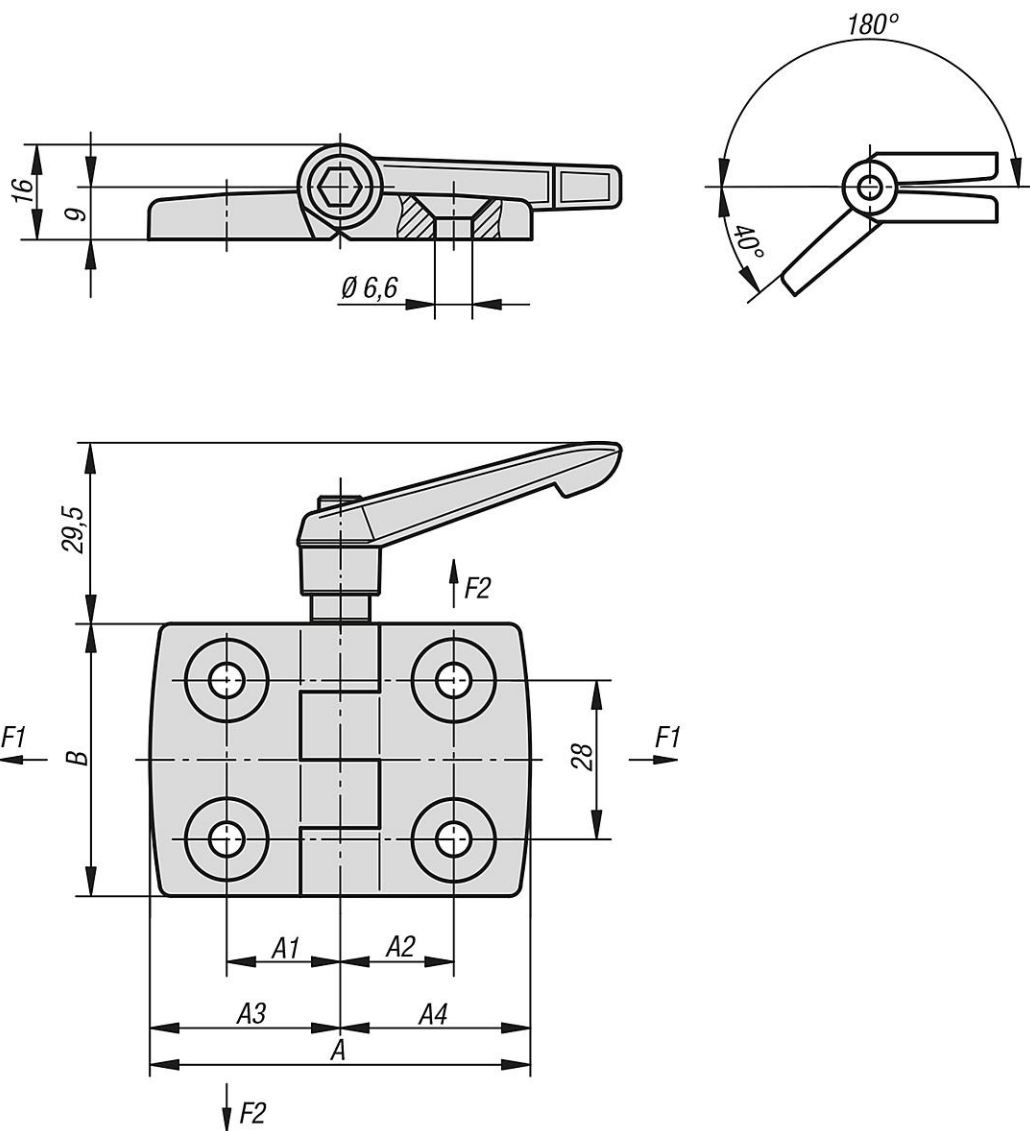
The load values have been determined under laboratory conditions. Each user must determine individually whether the hinge is suitable for the respective application.

Different materials onto which the hinges are installed and the type of mounting, weather conditions and wear can influence the determined values.

On request:

Hinges with guide tabs (slot 6, 8 and 10) for aluminium profiles.
Unequal leaf combinations.

Drawings



Overview of items

Order No.	A	A1	A2	A3	A4	B	F1 N	F2 N
27853-251515	52	15	15	26	26	48	500	380
27853-301818	59	17,5	17,5	29,5	29,5	48	700	400
27853-352020	72	20	20	36	36	48	700	400
27853-402323	77	22,5	22,5	38,5	38,5	48	750	450
27853-452525	87	25	25	43,5	43,5	48	750	450
27853-502828	97	27,5	27,5	48,5	48,5	48	800	425
27853-603333	115	32,5	32,5	57,5	57,5	48	850	175