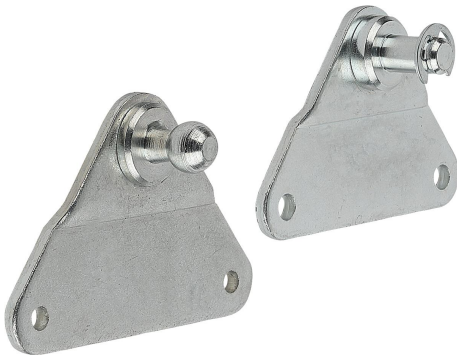


Item description/product images



Description

Material:

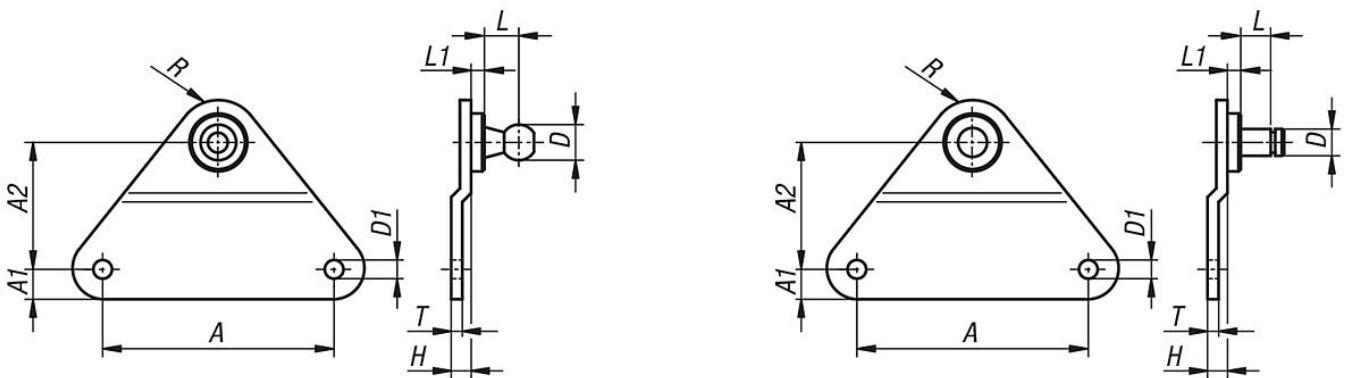
Steel or stainless steel 1.4404.

Version:

Steel electro zinc-plated.

Stainless steel bright.

Drawings



Overview of items

| Order No. | Main material | Form | A | A1 | A2 | D | D1 | H | L | L1 | R | T | Strength N |
|--------------|-----------------|------|----|----|------|----|-----|-----|-----|----|----|-----|------------|
| 27658-00815 | steel | A | 18 | 5 | 15,5 | 8 | 4,3 | 2,5 | 8 | 3 | 5 | 1,5 | 180 |
| 27658-00830 | steel | A | 55 | 7 | 30 | 8 | 5,3 | 5 | 8 | 3 | 10 | 3 | 500 |
| 27658-01030 | steel | A | 55 | 7 | 30 | 10 | 5,3 | 5 | 8 | 3 | 10 | 3 | 800 |
| 27658-01330 | steel | A | 55 | 7 | 30 | 13 | 5,3 | 5 | 9,5 | 3 | 10 | 3 | 1200 |
| 27658-008151 | stainless steel | A | 18 | 5 | 15,5 | 8 | 4,3 | 2,5 | 8 | 3 | 5 | 1,5 | 180 |
| 27658-008301 | stainless steel | A | 55 | 7 | 30 | 8 | 5,3 | 5 | 8 | 3 | 10 | 3 | 500 |
| 27658-010301 | stainless steel | A | 55 | 7 | 30 | 10 | 5,3 | 5 | 8 | 3 | 10 | 3 | 800 |
| 27658-013301 | stainless steel | A | 55 | 7 | 30 | 13 | 5,3 | 5 | 9,5 | 3 | 10 | 3 | 1200 |
| 27658-10415 | steel | B | 18 | 5 | 15,5 | 4 | 4,3 | 2,5 | 4,5 | 2 | 5 | 1,5 | 180 |
| 27658-10615 | steel | B | 18 | 5 | 15,5 | 6 | 4,3 | 2,5 | 6,5 | 4 | 5 | 1,5 | 180 |
| 27658-10630 | steel | B | 55 | 7 | 30 | 6 | 5,3 | 5 | 7 | 4 | 10 | 3 | 500 |
| 27658-10830 | steel | B | 55 | 7 | 30 | 8 | 5,3 | 5 | 11 | 5 | 10 | 3 | 1200 |
| 27658-104151 | stainless steel | B | 18 | 5 | 15,5 | 4 | 4,3 | 2,5 | 4,5 | 2 | 5 | 1,5 | 180 |
| 27658-106151 | stainless steel | B | 18 | 5 | 15,5 | 6 | 4,3 | 2,5 | 6,5 | 4 | 5 | 1,5 | 180 |
| 27658-106301 | stainless steel | B | 55 | 7 | 30 | 6 | 5,3 | 5 | 7 | 4 | 10 | 3 | 500 |
| 27658-108301 | stainless steel | B | 55 | 7 | 30 | 8 | 5,3 | 5 | 11 | 5 | 10 | 3 | 1200 |