

## Item description/product images



## Description

**Material:**

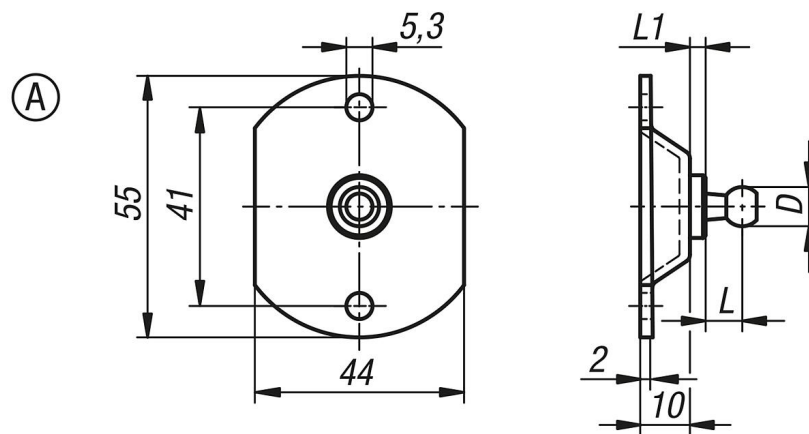
Steel or stainless steel 1.4404.

**Version:**

Steel electro zinc-plated.

Stainless steel bright.

## Drawings



## Overview of items

Order No.	Main material	Form	D	L	L1	Strength N
27659-00855	steel	A	8	8	3	500
27659-01055	steel	A	10	9	3	800
27659-01355	steel	A	13	9,5	3	1200
27659-008551	stainless steel	A	8	8	3	500
27659-010551	stainless steel	A	10	9	3	800
27659-013551	stainless steel	A	13	9,5	3	1200