

Item description/product images



Description

Material:

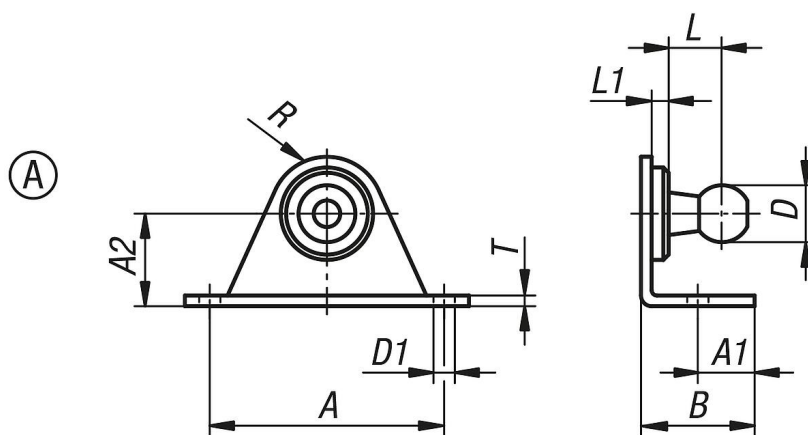
Steel or stainless steel 1.4404.

Version:

Steel electro zinc-plated.

Stainless steel bright.

Drawings



Overview of items

Order No.	Main material	Form	A	A1	A2	B	D	D1	L	L1	R	T	Strength N
27657-00810	steel	A	19	4,25	10	10	8	3,4	8	3	4	1,5	180
27657-00816	steel	A	40	10	16	20	8	4,3	8	3	10	2	500
27657-01016	steel	A	40	10	16	20	10	4,3	9	3	10	2	800
27657-01316	steel	A	40	10	16	20	13	4,3	9,5	3	10	2	1200
27657-008101	stainless steel	A	19	4,25	10	10	8	3,4	8	3	4	1,5	180
27657-008161	stainless steel	A	40	10	16	20	8	4,3	8	3	10	2	500
27657-010161	stainless steel	A	40	10	16	20	10	4,3	9	3	10	2	800
27657-013161	stainless steel	A	40	10	16	20	13	4,3	9,5	3	10	2	1200