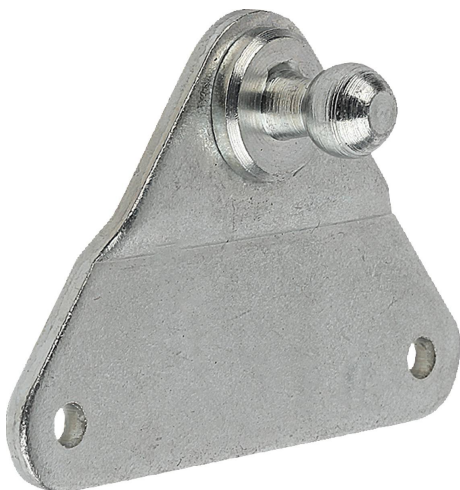


## Item description/product images



## Description

**Material:**

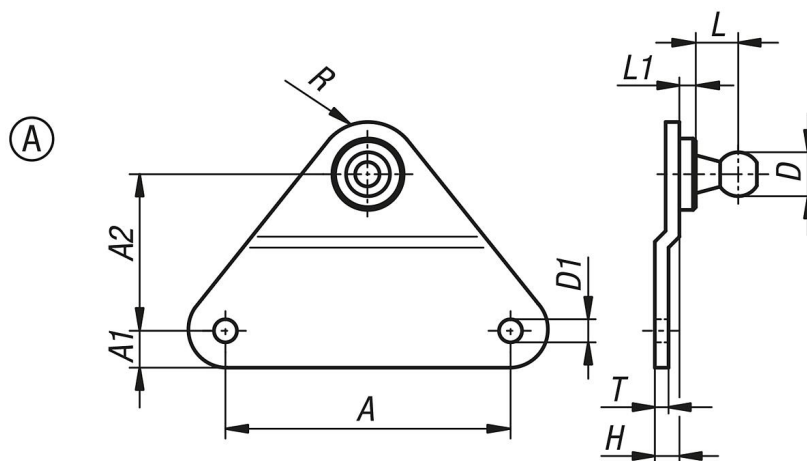
Steel or stainless steel 1.4404.

**Version:**

Steel electro zinc-plated.

Stainless steel bright.

## Drawings



## Overview of items

Order No.	Main material	Form	A	A1	A2	D	D1	H	L	L1	R	T	Strength N
27658-00815	steel	A	18	5	15,5	8	4,3	2,5	8	3	5	1,5	180
27658-00830	steel	A	55	7	30	8	5,3	5	8	3	10	3	500
27658-01030	steel	A	55	7	30	10	5,3	5	8	3	10	3	800
27658-01330	steel	A	55	7	30	13	5,3	5	9,5	3	10	3	1200
27658-008151	stainless steel	A	18	5	15,5	8	4,3	2,5	8	3	5	1,5	180
27658-008301	stainless steel	A	55	7	30	8	5,3	5	8	3	10	3	500
27658-010301	stainless steel	A	55	7	30	10	5,3	5	8	3	10	3	800
27658-013301	stainless steel	A	55	7	30	13	5,3	5	9,5	3	10	3	1200