

## Item description/product images



## Description

## Material:

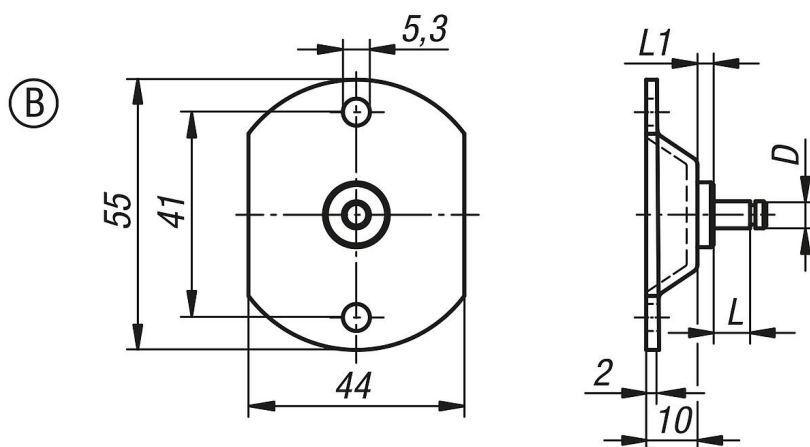
Steel or stainless steel 1.4404.

## Version:

Steel electro zinc-plated.

Stainless steel bright.

## Drawings



## Overview of items

Order No.	Main material	Form	D	L	L1	Strength N
27659-10655	steel	B	6	7	4	500
27659-10855	steel	B	8	11	5	1200
27659-106551	stainless steel	B	6	7	4	500
27659-108551	stainless steel	B	8	11	5	1200