

Item description/product images



Description

Material:

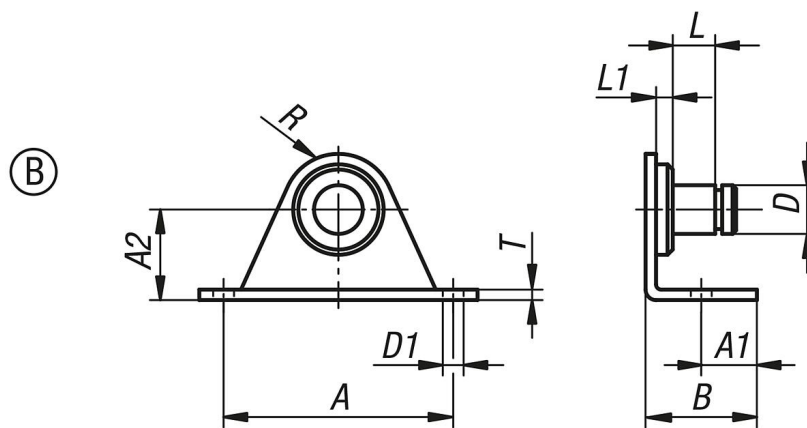
Steel or stainless steel 1.4404.

Version:

Steel electro zinc-plated.

Stainless steel bright.

Drawings



Overview of items

Order No.	Main material	Form	A	A1	A2	B	D	D1	L	L1	R	T	Strength N
27657-10410	steel	B	19	4,25	10	10	4	3,4	5	2	4	1,5	180
27657-10610	steel	B	19	4,25	10	10	6	3,4	7	4	4	1,5	180
27657-10616	steel	B	40	10	16	20	6	4,3	7	4	10	2	500
27657-10816	steel	B	40	10	16	20	8	4,3	11	5	10	2	1200
27657-104101	stainless steel	B	19	4,25	10	10	4	3,4	5	2	4	1,5	180
27657-106101	stainless steel	B	19	4,25	10	10	6	3,4	7	4	4	1,5	180
27657-106161	stainless steel	B	40	10	16	20	6	4,3	7	4	10	2	500
27657-108161	stainless steel	B	40	10	16	20	8	4,3	11	5	10	2	1200