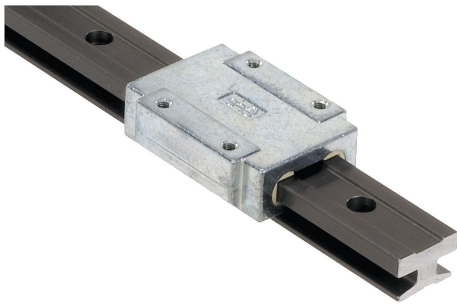


Item description/product images



Description

Material:

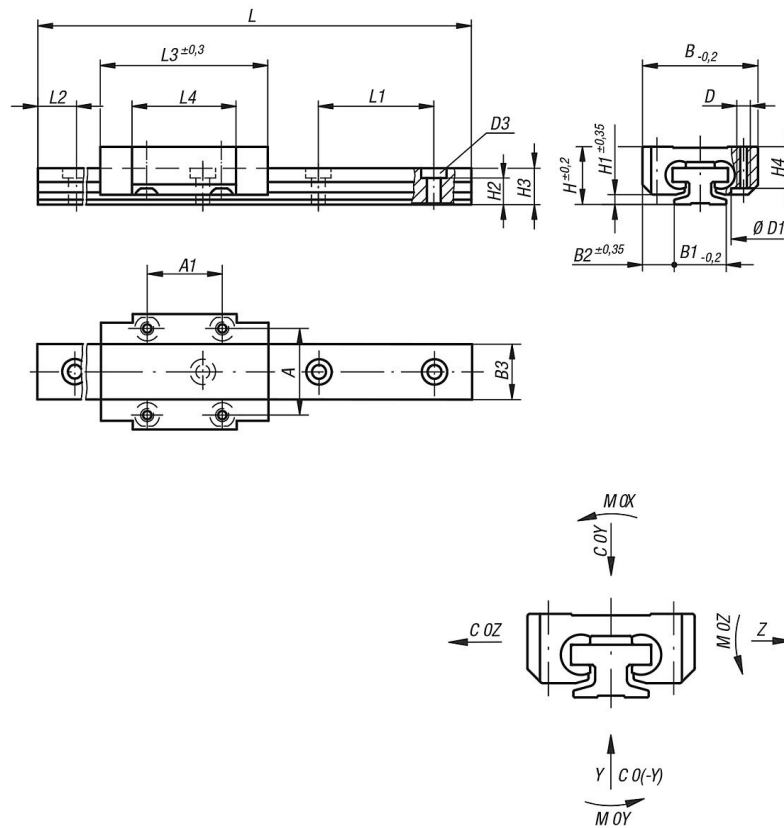
Carriage, body made from zinc, sliding elements made from iglidur® J.

Note:

Due to their ability to run dry and their resistance to corrosion, miniature linear guides are completely maintenance-free. The slider components in iglidur® J are wear-resistant and replaceable. Can be use in a temperature range up to max. 80 °C.

The small dimensions are a major advantage of these miniature linear guides.

Drawings



Overview of items

Order No.	Version	Size	C0Y N	C0(-Y) N	C0Z N	MOX Nm	MOY Nm	MOZ Nm	A	A1	B	B2	D	D1	H	H1	H4	L3	L4
21210-0900	standard fixed bearing	9	480	480	240	3,4	1,8	1,8	15	13	20	5,5	M2	4,4	10	1,7	7,2	29	18
21210-1200	standard fixed bearing	12	960	960	480	9,2	4,4	4,4	20	15	27	7,5	M3	6,5	13	2,2	9,5	34	22
21210-1500	standard fixed bearing	15	1400	1400	700	17	8	8	25	20	32	8,5	M3	6,5	16	2,8	11	42	31
21210-0920	floating bearing y axis	9	480	480	240	3,4	1,8	1,8	15	13	20	5,5	M2	4,4	10	1,7	7,2	29	18
21210-1220	floating bearing y axis	12	960	960	480	9,2	4,4	4,4	20	15	27	7,5	M3	6,5	13	2,2	9,5	34	22
21210-1520	floating bearing y axis	15	1400	1400	700	17	8	8	25	20	32	8,5	M3	6,5	16	2,8	11	42	31
21210-0930	floating bearing z axis	9	480	480	240	3,4	1,8	1,8	15	13	20	5,5	M2	4,4	10	1,7	7,2	29	18
21210-1230	floating bearing z axis	12	960	960	480	9,2	4,4	4,4	20	15	27	7,5	M3	6,5	13	2,2	9,5	34	22
21210-1530	floating bearing z axis	15	1400	1400	700	17	8	8	25	20	32	8,5	M3	6,5	16	2,8	11	42	31

