

## Item description/product images

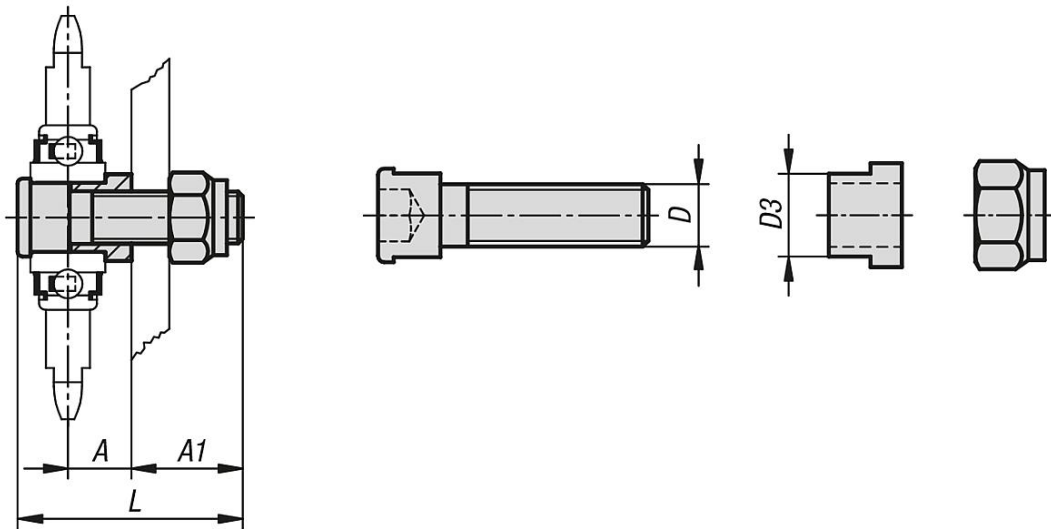


## Description

**Material:**  
Steel C45.

**Version:**  
Electro zinc-plated.

## Drawings



## Overview of items

| Order No.  | A  | A1 | D   | D3 | L  | Suitable for                   |
|------------|----|----|-----|----|----|--------------------------------|
| 22280-1216 | 15 | 25 | M12 | 16 | 52 | idler sprocket to ISO 12 B-1   |
| 22280-1620 | 25 | 28 | M16 | 20 | 66 | idler sprocket from ISO 16 B-1 |