

Item description/product images



Description

Material:

Inner ring, outer ring and rolling elements, bearing steel.
Cage reinforced fibre glass polyamide.

Version:

NU floating bearing.
NJ support bearing.

Note:

Cylinder roller bearings accept high radial loads. The bearings are separable. The bearing parts can be fitted independently of each other. This means that both bearing rings can have a tight fit. The bearings are supplied without seals. They can be lubricated with grease or oil from the side. Suitable for high speeds.

NU version are floating bearings and accept only radial forces. The outer ring has two flanges, the inner ring has none. Outer and inner rings can be displaced by the value S in both directions.

NJ versions are support bearings and accept axial loads in one direction in addition to radial loads. The outer ring has two flanges, the inner ring has one flange. Outer and inner rings can be displaced in one direction by the value S.

Dimensional and running tolerances correspond to tolerance class PN acc. to DIN 620. This radial clearance corresponds to the clearance CN acc. to DIN 620-4. These tolerance classes are standard and are well suited for most applications.

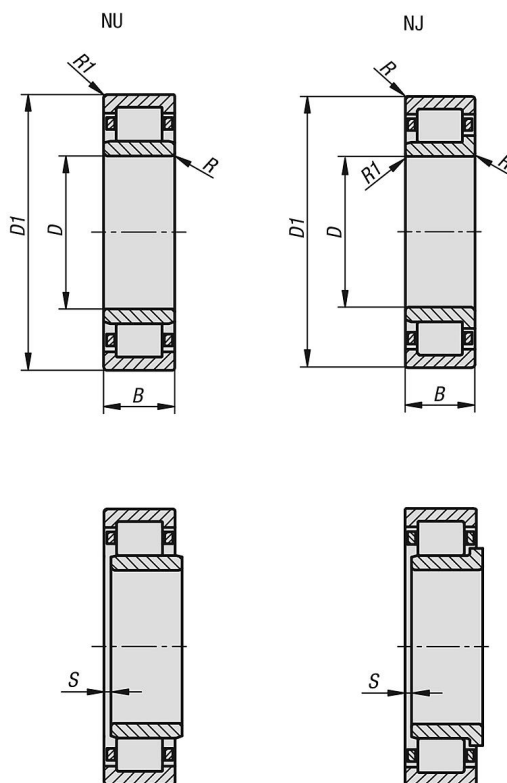
Temperature range:

-30 °C to +120 °C.

On request:

Other dimensions and versions.

Drawings



Overview of items

Order No.	Abbreviation	Form definition	D	D1	B	R min.	R1 min.	S	Dynamic load rating N	Static load rating N	Speed limit rpm
23820-001503511	NU-202-E-TVP2	floating bearing	15	35	11	0,6	0,3	1,6	15100	10400	22000
23820-101503511	NJ-202-E-TVP2	support bearing	15	35	11	0,6	0,3	1,6	15100	10400	22000
23820-001704012	NU-203-E-TVP2	floating bearing	17	40	12	0,6	0,3	1,2	20800	14600	18000
23820-101704012	NJ-203-E-TVP2	support bearing	17	40	12	0,6	0,3	1,2	20800	14600	18000
23820-002004714	NU-204-E-TVP2	floating bearing	20	47	14	1	0,6	0,8	32500	24700	16000
23820-102004714	NJ-204-E-TVP2	support bearing	20	47	14	1	0,6	1	32500	24700	16000
23820-002505215	NU-205-E-TVP2	floating bearing	25	52	15	1	0,6	1,3	34500	27500	15000
23820-102505215	NJ-205-E-TVP2	support bearing	25	52	15	1	0,6	1,2	34500	27500	15000
23820-003006216	NU-206-E-TVP2	floating bearing	30	62	16	1	0,6	1,5	45000	36000	12000
23820-103006216	NJ-206-E-TVP2	support bearing	30	62	16	1	0,6	1,5	45000	36000	12000
23820-003507217	NU-207-E-TVP2	floating bearing	35	72	17	1,1	0,6	0,7	58000	48500	10000
23820-103507217	NJ-207-E-TVP2	support bearing	35	72	17	1,1	0,6	0,7	58000	48500	10000
23820-004008018	NU-208-E-TVP2	floating bearing	40	80	18	1,1	1,1	1	63000	53000	9000
23820-104008018	NJ-208-E-TVP2	support bearing	40	80	18	1,1	1,1	1	63000	53000	9000
23820-004508519	NU-209-E-TVP2	floating bearing	45	85	19	1,1	1,1	1	72000	63000	8500
23820-104508519	NJ-209-E-TVP2	support bearing	45	85	19	1,1	1,1	1,9	72000	63000	8500
23820-005009020	NU-210-E-TVP2	floating bearing	50	90	20	1,1	1,1	1,3	75000	69000	8000
23820-105009020	NJ-210-E-TVP2	support bearing	50	90	20	1,1	1,1	1,3	75000	69000	8000