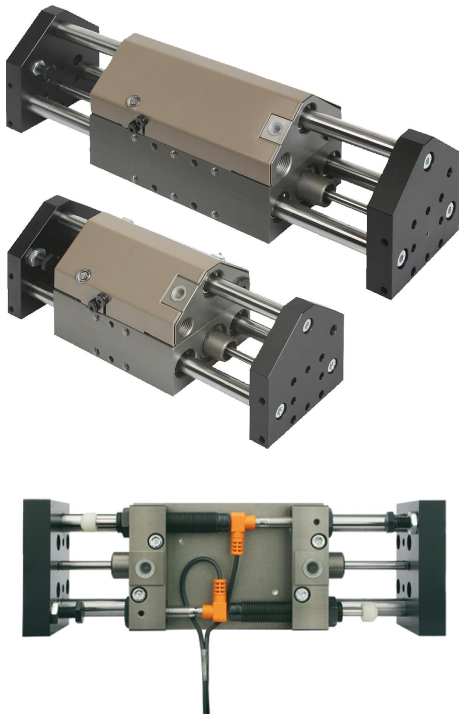


Item description/product images

**Description****Material:**

Body and flange plate EN AW-5754.
Guide shafts steel

Version:

Body, hard-coated
Flange plates, anodised.
Guide shaft, hardened.

Note:

Maintenance-free pneumatic linear modules with three precision steel shafts and ball guide bushing with wipers. Double acting cylinder drive. All fastening threads have threaded inserts. The as accessory available shock absorbers and proximity switches can be integrated (no protruding edges). Positive fit construction for hundred per cent reproducibility. Combinations in all sizes and stroke variants are feasible without adapter plates.

Repeat accuracies of ± 0.01 mm are possible.
Specified loads apply by centred carriages.

Temperature range:

+5 °C up to +80 °C

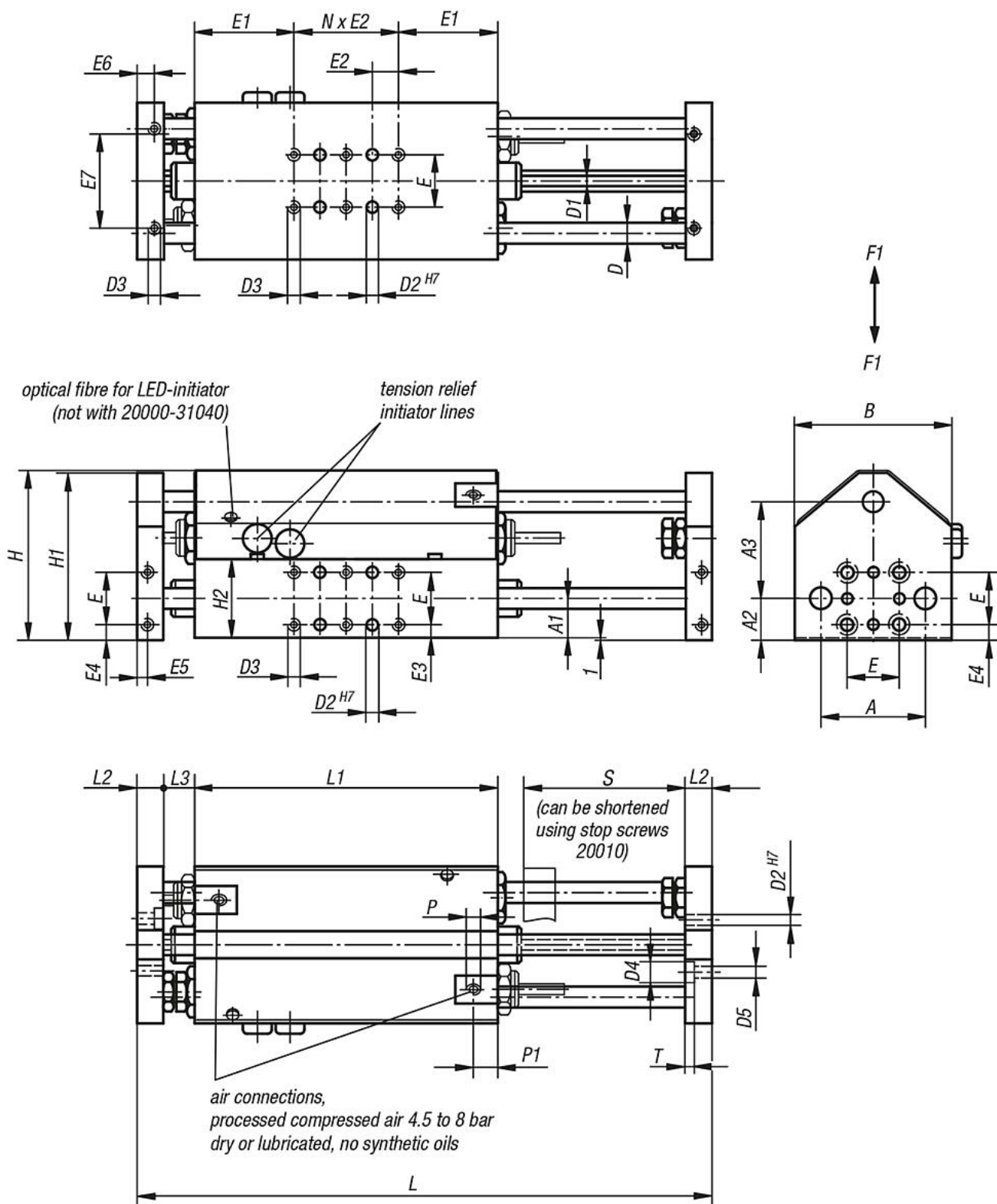
On request:

Available with locking cartridge as stroke deviation safeguard.

Accessory:

See table for shock absorber, proximity switch and plug connector.

Drawings



Overview of items

Order No.	Size	A	A1	A2	A3	B	D	D1	D2	D3	D4	D5	E	E1	E2	E3	E4	E5	E6	E7	Travel S
20000-31040	1	40	15	16	37	60	8	4	4	M4	8	4,5	20	38	10	5	6	4	9	36	40

Overview of items

Order No.	Size	A	A1	A2	A3	B	D	D1	D2	D3	D4	D5	E	E1	E2	E3	E4	E5	E6	E7	Travel S
20000-31060	1	40	15	16	37	60	8	4	4	M4	8	4,5	20	38	10	5	6	4	9	36	60
20000-31080	1	40	15	16	37	60	8	4	4	M4	8	4,5	20	38	10	5	6	4	9	36	80
20000-31100	1	40	15	16	37	60	8	4	4	M4	8	4,5	20	38	10	5	6	4	9	36	100
20000-32060	2	55	20	21	50	82	12	6	5	M5	10	5,5	30	45	15	5	6	5	11	50	60
20000-32090	2	55	20	21	50	82	12	6	5	M5	10	5,5	30	45	15	5	6	5	11	50	90
20000-32120	2	55	20	21	50	82	12	6	5	M5	10	5,5	30	45	15	5	6	5	11	50	120
20000-32150	2	55	20	21	50	82	12	6	5	M5	10	5,5	30	45	15	5	6	5	11	50	150
20000-33100	3	70	25	26	62	100	16	8	6	M6	11	6,6	40	50	20	5	6	6	14	70	80
20000-33120	3	70	25	26	62	100	16	8	6	M6	11	6,6	40	50	20	5	6	6	14	70	120
20000-33160	3	70	25	26	62	100	16	8	6	M6	11	6,6	40	50	20	5	6	6	14	70	160
20000-33200	3	70	25	26	62	100	16	8	6	M6	11	6,6	40	50	20	5	6	6	14	70	200
20000-35120	5	104	38	39	93	150	25	12	10	M10	18	11	60	72	30	8	9	8	17	96	120
20000-35180	5	104	38	39	93	150	25	12	10	M10	18	11	60	72	30	8	9	8	17	96	180
20000-35240	5	104	38	39	93	150	25	12	10	M10	18	11	60	72	30	8	9	8	17	96	240
20000-35300	5	104	38	39	93	150	25	12	10	M10	18	11	60	72	30	8	9	8	17	96	300

Order No.	Size	H	H1	H2	L	L1	L2	L3	N (number)	P	P1	T	F1 max. kN	Piston force at 6 bar (N)	Cylinder Ø	Air consumption per cycle at 6 bar (ccm)
20000-31040	1	65	64	30	180	96	12	10	2	M5	9,3	3	0,38	100	16	11,3
20000-31060	1	65	64	30	220	116	12	10	4	M5	9,3	3	0,26	100	16	17
20000-31080	1	65	64	30	260	136	12	10	6	M5	9,3	3	0,18	100	16	22,6
20000-31100	1	65	64	30	300	156	12	10	8	M5	9,3	3	0,125	100	16	28,3
20000-32060	2	86	85	40	254	120	16	21	2	G1/8	9,9	5,7	0,61	250	25	56
20000-32090	2	86	85	40	314	150	16	21	4	G1/8	9,9	5,7	0,35	250	25	84
20000-32120	2	86	85	40	374	180	16	21	6	G1/8	9,9	5,7	0,24	250	25	112
20000-32150	2	86	85	40	434	210	16	21	8	G1/8	9,9	5,7	0,16	250	25	140
20000-33100	3	107	106	50	300	140	20	20	2	G1/8	9,5	5	0,84	407	32	118
20000-33120	3	107	106	50	380	180	20	20	4	G1/8	9,5	5	0,52	407	32	178
20000-33160	3	107	106	50	460	220	20	20	6	G1/8	9,5	5	0,32	407	32	236
20000-33200	3	107	106	50	540	260	20	20	8	G1/8	9,5	5	0,2	407	32	295
20000-35120	5	159	158	76	420	204	25	23	2	G1/4	14	7	1,08	660	40	354,6
20000-35180	5	159	158	76	540	264	25	23	4	G1/4	14	7	0,7	660	40	531,8
20000-35240	5	159	158	76	660	324	25	23	6	G1/4	14	7	0,48	660	40	709,1
20000-35300	5	159	158	76	780	384	25	23	8	G1/4	14	7	0,36	660	40	886,4