

Item description/product images



Description

Material:

Stainless steel 1.4301.

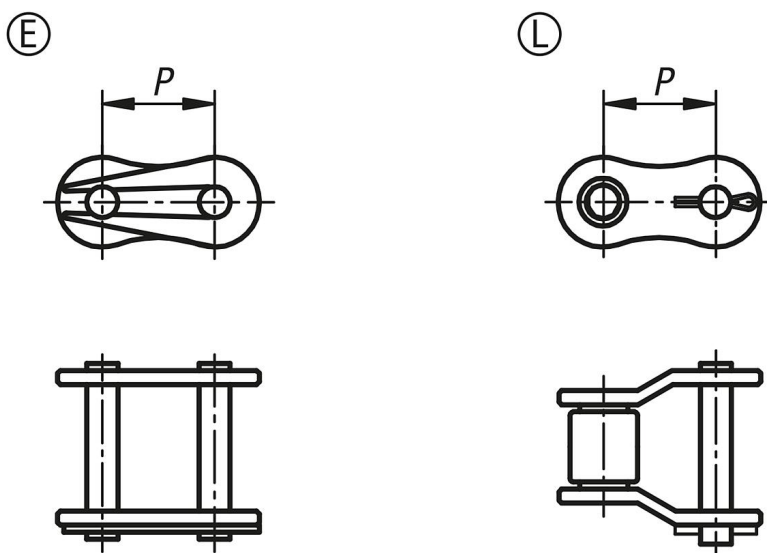
Note:

Links for single roller chains acc. to DIN ISO 606.

With Form E, the spring clips must be mounted with the closed end pointing in the direction of travel.

Offset links are required to close the chain if there is an odd number of links. Using offset links reduces the power and tensile strength by 20%.

Drawings



Overview of items

Form E connecting links

Order No.	Form	Version 2	ISO No.	P	Version	Suitable for chains
22212-30380732	E	-	06 B-1	9,525	-	3/8 x 7/32
22212-30120516	E	-	08 B-1	12,7	-	1/2 x 5/16
22212-30580308	E	-	10 B-1	15,875	-	5/8 x 3/8
22212-30340716	E	-	12 B-1	19,05	-	3/4 x 7/16
22212-31001702	E	-	16 B-1	25,4	-	1 x 17,02 mm
22212-40380732	L	-	06 B-1	9,525	-	3/8 x 7/32
22212-40120516	L	-	08 B-1	12,7	-	1/2 x 5/16
22212-40580308	L	-	10 B-1	15,875	-	5/8 x 3/8
22212-40340716	L	-	12 B-1	19,05	-	3/4 x 7/16
22212-41001702	L	-	16 B-1	25,4	-	1 x 17,02 mm

