

Item description/product images

**Description****Material:**

Housing high-strength aluminium.
Stop system steel.

Version:

Housing anodised.
Stop system hardened and black oxidised.

Note:

Maintenance-free pneumatic rotary module for small installation spaces with double actuated drive cylinder. Control by 4/2 or 5/2 directional valve. Pneumatic drive, 4-8 bar, constant, filtered (10 µm), dried, oiled or unoled. Compressed air connection M5.

Modules of the same size can be combined with one another without adapter plates via the precise centring system by means of centring rings 20240.

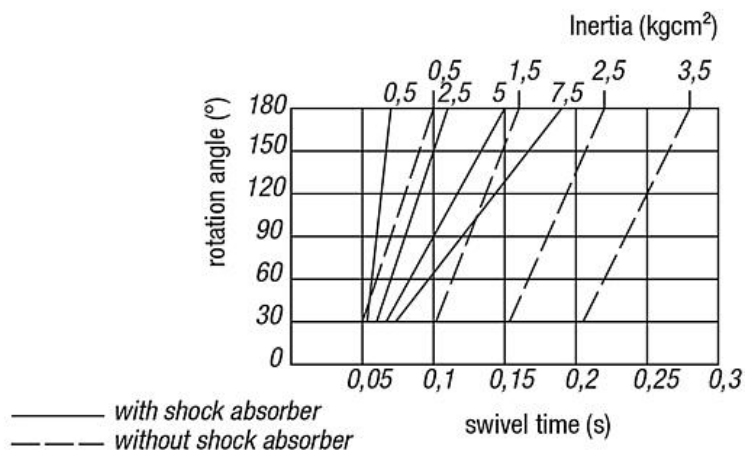
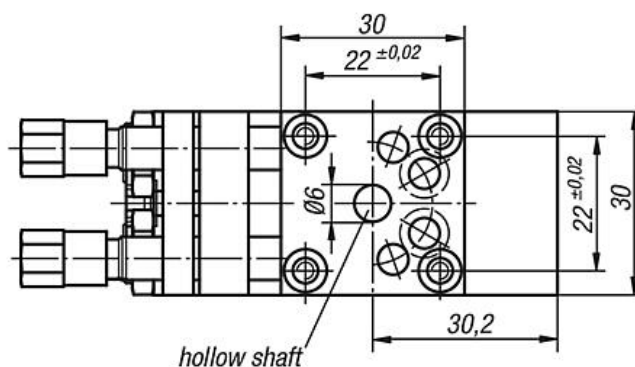
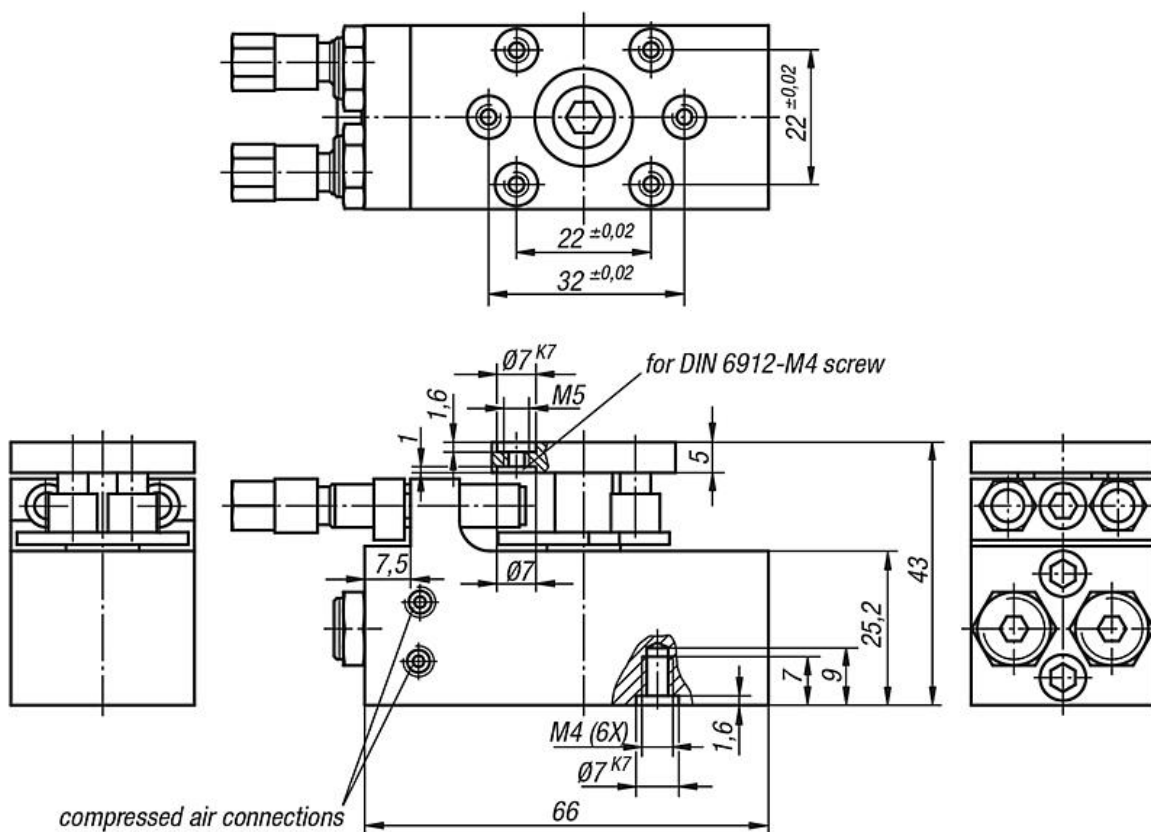
The 0° – 190° rotation angle is infinitely adjustable.

Repeat accuracy $\pm 0.01^\circ$.

Accessory:

See table for shock absorber, proximity switch and plug connector.

Drawings



Overview of items

| Order No. | Size | Driving torque Nm | Rotation angle | Axial load N | Radial load N | Cylinder Ø | Air consumption per cycle at 6 bar (ccm) |
|-----------|------|----------------------|-------------------|--------------------|---------------------|---------------|--|
| 20060-014 | 4 | 0,28 | 0° - 190° | 300 | 220 | 2 x 10 | 5 |

| Order No. | Size | Suitable shock absorber | Suitable proximity switch | Suitable plug connector |
|-----------|------|-------------------------------|---------------------------------|-------------------------------|
| 20060-014 | 4 | 26300-1010008 | 83000-15-010 | 80100-10-010X2000 |