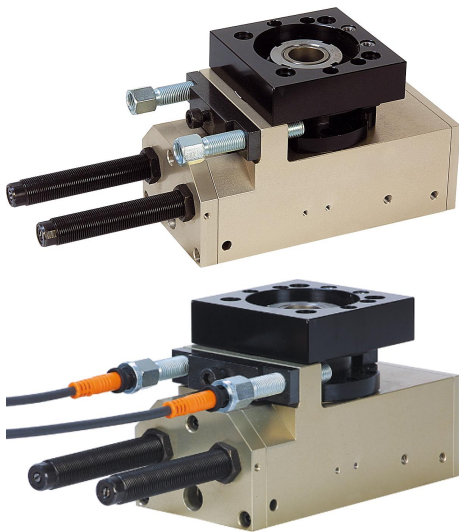


Item description/product images

**Description****Material:**

Housing high-strength aluminium.
Stop system steel.

Version:

Housing anodised.
Stop system hardened and black oxidised.

Note:

Maintenance-free pneumatic rotary module with double actuated drive cylinder, heavy duty version. Control by 4/2 or 5/2 directional valve. Pneumatic drive, 4-8 bar, constant, filtered (10 µm), dried, oiled or unoled. Compressed air connection M5. Modules of the same size can be combined with one another without adapter plates via the precise centring system by means of centring rings 20240.

The 0° – 190° rotation angle is infinitely adjustable.

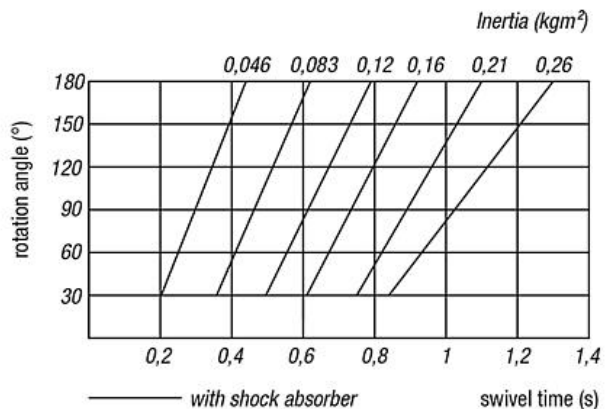
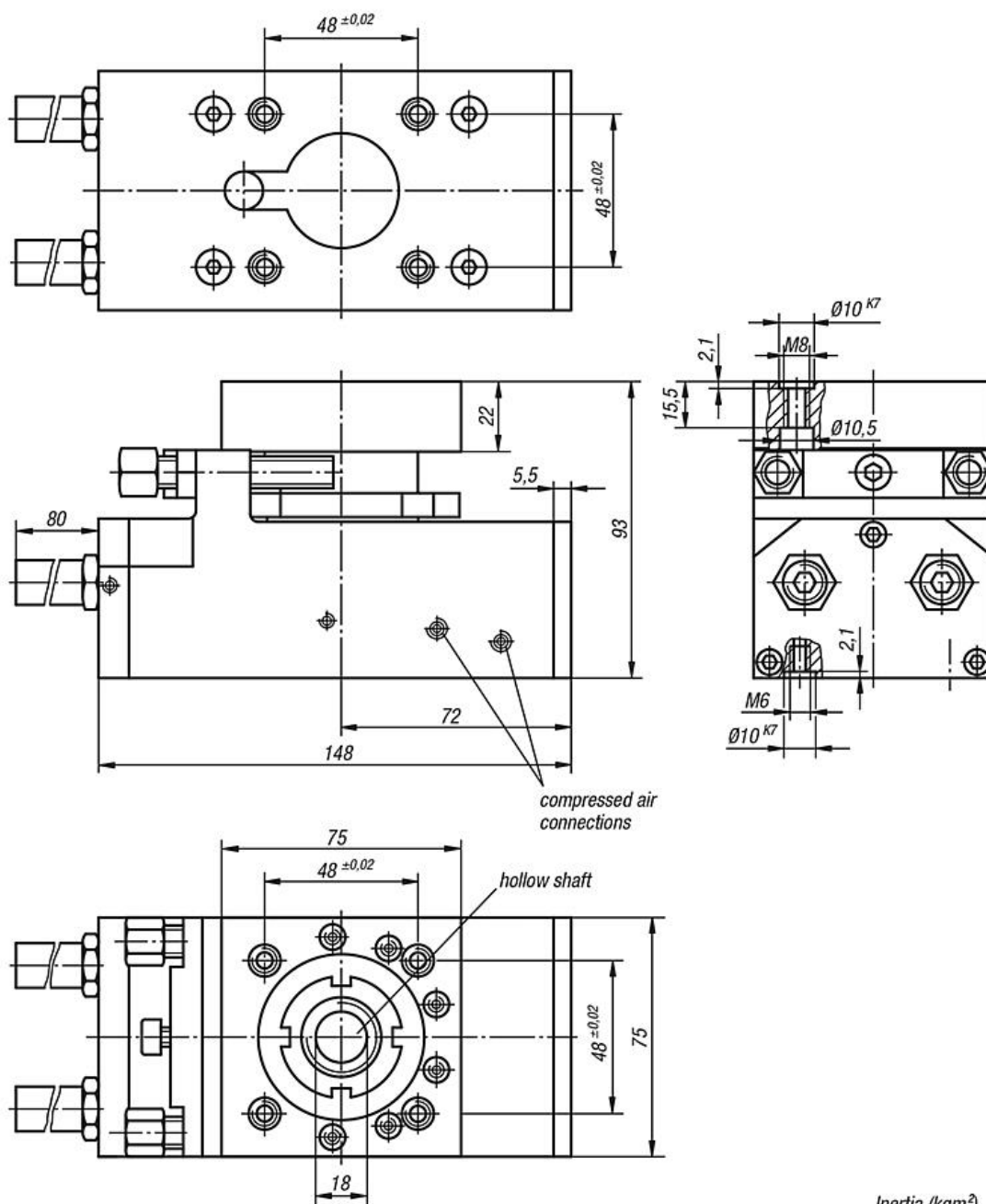
Repeat accuracy ±0.01°.

Shock absorbers are supplied.

Accessory:

See table for proximity switches and plug connectors.

Drawings



Overview of items

Order No.	Size	Driving torque Nm	tilt moment max. Nm	Rotation angle	Axial load N	Radial load N	Cylinder Ø	Air consumption per cycle at 6 bar (ccm)
20062-026	6	6,5	55	0° - 190°	1100	1600	2 x 25	88

Order No.	Size	Suitable proximity switch	Suitable plug connector
20062-026	6	83000-15-030	80150-010X2000