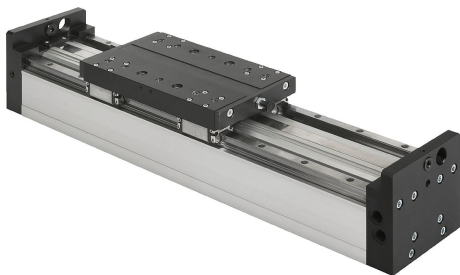


Item description/product images

**Description****Material:**

Body, carriage and flange plate aluminium alloy.
Guide rails steel

Version:

Body anodised natural colour.
Carriage and flange plate anodised.
Rail guides hardened.

Note:

Portal modules with ball rail guides. Pneumatic drive through a rodless cylinder. High load rating due to stiffened self-supporting aluminium profiles. The modules can be mounted in any position.
Specified loads apply to dynamic loads.

Repeat accuracy ± 0.02 mm.

Temperature range:

+5 °C to +70 °C
(+5 °C to +60 °C by size 65)

On request:

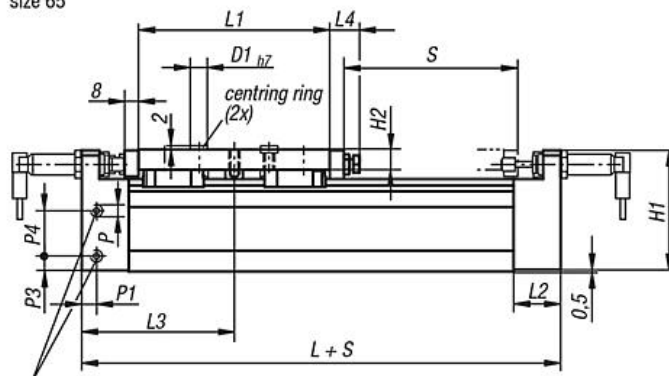
* Other lengths (travel S max. 5000 mm) and intermediate positions.

Accessory:

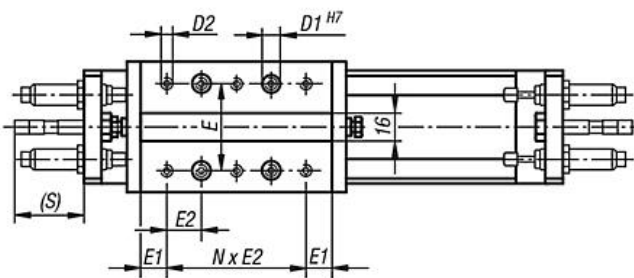
See table for shock absorbers, proximity switches and plug connectors.

Drawings

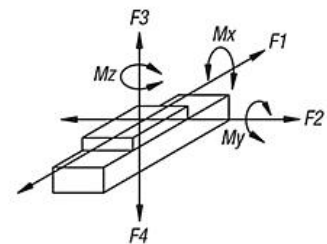
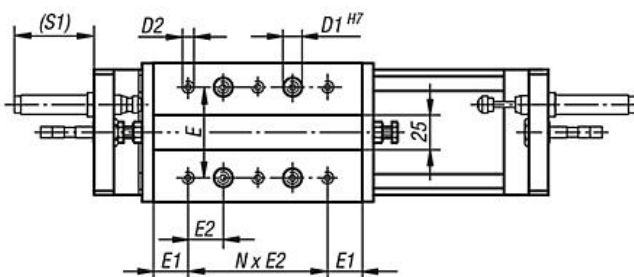
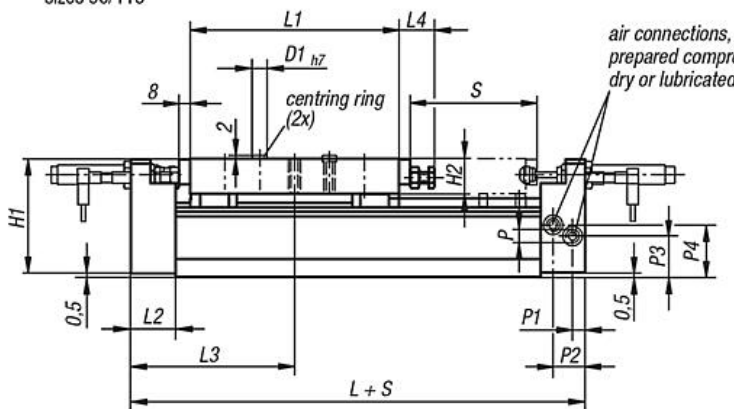
size 65



air connections,
prepared compressed air 1 to 8 bar dry or lubricated



sizes 90/115



Overview of items

Order No.	Size	A	B	B1	C1	C2	C3	D1	D2	E	E1	E2	H	H1	H2	H3	L	Travel S
20200-1065X0500	65	42	65	75	8,1	2,5	6,8	10	M5	50	15	20	70	69,5	11,5	21,5	175	500
20200-1090X0500	90	67	90	100	8,1	2,5	6,8	10	M6	65	25	25	85	84,5	25	35	235	500
20200-1115X0500	115	97	125	135	10	5	8,5	13	M8	90	20	30	115	114,5	25	44,8	305	500

Order No.	Size	L1	L2	L3	L4	N (number)	P	P1	P2	P3	P4	S1
20200-1065X0500	65	110	27	87,5	17	4	M5	8,5	-	8,5	25,8	40
20200-1090X0500	90	150	32	117,5	25,5	4	G1/8	9	23	30	38	64,5
20200-1115X0500	115	220	32	152,5	25,5	6	G1/4	15,5	19,5	40,5	60,5	62,5

Order No.	Size	Piston force at 6 bar (N)	Cylinder \emptyset	Air consumption per 10 mm travel at 6 bar (ccm)	Mx Nm	My Nm	Mz Nm	F1 N	F2 N	F3 N	F4 (N)
20200-1065X0500	65	150	18	18	155	260	260	460	610	610	610
20200-1090X0500	90	250	25	35	310	410	410	560	750	750	750
20200-1115X0500	115	640	40	88	1570	2270	2270	1550	2070	2070	2070