

## Item description/product images



## Description

**Material, version:**

Ring steel.

Rubber NBR.

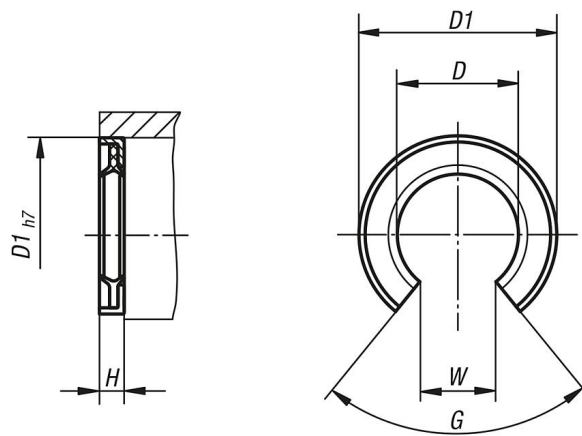
**Note:**

In addition to the standard seals for linear ball bearings, these end seals are also available. The end seals give much better protection from dirt and dust.

The seals are inserted into the housing bores (tolerance H7) in front of the bearings and secured with glue.

## Drawings

Open



## Overview of items

Order No.	Version	D	D1	H	G	W
21560-121	open	12	22	3	78°	7,5
21560-161	open	16	26	3	78°	10
21560-201	open	20	32	4	60°	10
21560-251	open	25	40	4	60°	12,5
21560-301	open	30	47	5	50°	12,5
21560-401	open	40	62	5	56°	18,7