

Item description/product images



Description

Material:

Polyurethane (PU) with steel cord reinforcement.

Note:

Endless toothed belt with trapezoidal profile and reinforced steel cord (compared to T-Series) with metric pitch. Optimised tooth profile for more uniform force distribution and lower tooth deformation under load. Reduced polygon effect for quieter belt operation. The toothed belts are intended for drives where precision is a requirement, safety is important and the effects of chemicals are a concern.

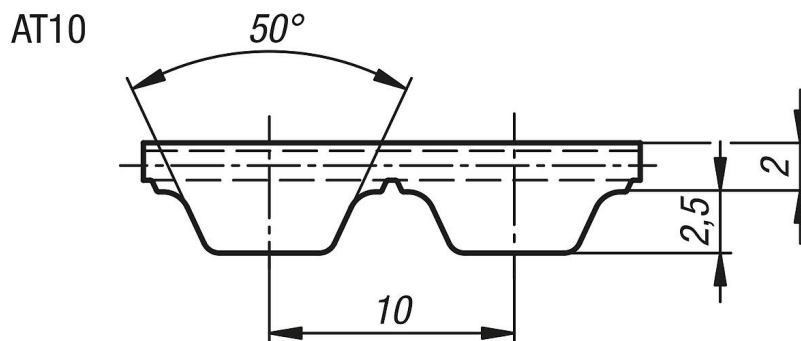
Temperature range:

from -30 °C to +90 °C

Features:

- maintenance-free
- high-power transmission
- minimal belt extension
- accurate positioning and angles
- very good chemical resistance, especially to oils, greases and fuels
- extremely high abrasion resistance
- transmits power up to 70 kW
- reliable speed up to 10,000 rpm

Drawings



Overview of items

Order No.	Profile	belt width	No. of teeth	Effective length
22057-1016X0500	AT10	16	50	500
22057-1016X0560	AT10	16	56	560
22057-1016X0610	AT10	16	61	610
22057-1016X0660	AT10	16	66	660
22057-1016X0700	AT10	16	70	700
22057-1016X0730	AT10	16	73	730
22057-1016X0780	AT10	16	78	780
22057-1016X0800	AT10	16	80	800
22057-1016X0840	AT10	16	84	840
22057-1016X0890	AT10	16	89	890
22057-1016X0920	AT10	16	92	920
22057-1016X0960	AT10	16	96	960
22057-1016X0980	AT10	16	98	980
22057-1016X1010	AT10	16	101	1010
22057-1016X1050	AT10	16	105	1050

Overview of items

Order No.	Profile	belt width	No. of teeth	Effective length
22057-1016X1080	AT10	16	108	1080
22057-1016X1150	AT10	16	115	1150
22057-1016X1210	AT10	16	121	1210
22057-1016X1250	AT10	16	125	1250
22057-1016X1320	AT10	16	132	1320
22057-1016X1400	AT10	16	140	1400
22057-1016X1500	AT10	16	150	1500
22057-1016X1600	AT10	16	160	1600
22057-1016X1700	AT10	16	170	1700
22057-1016X1800	AT10	16	180	1800
22057-1025X0500	AT10	25	50	500
22057-1025X0560	AT10	25	56	560
22057-1025X0610	AT10	25	61	610
22057-1025X0660	AT10	25	66	660
22057-1025X0700	AT10	25	70	700
22057-1025X0730	AT10	25	73	730
22057-1025X0780	AT10	25	78	780
22057-1025X0800	AT10	25	80	800
22057-1025X0840	AT10	25	84	840
22057-1025X0890	AT10	25	89	890
22057-1025X0920	AT10	25	92	920
22057-1025X0960	AT10	25	96	960
22057-1025X0980	AT10	25	98	980
22057-1025X1010	AT10	25	101	1010
22057-1025X1050	AT10	25	105	1050
22057-1025X1080	AT10	25	108	1080
22057-1025X1150	AT10	25	115	1150
22057-1025X1210	AT10	25	121	1210
22057-1025X1250	AT10	25	125	1250
22057-1025X1320	AT10	25	132	1320
22057-1025X1400	AT10	25	140	1400
22057-1025X1500	AT10	25	150	1500
22057-1025X1600	AT10	25	160	1600
22057-1025X1700	AT10	25	170	1700
22057-1025X1800	AT10	25	180	1800
22057-1032X0500	AT10	32	50	500
22057-1032X0560	AT10	32	56	560
22057-1032X0610	AT10	32	61	610
22057-1032X0660	AT10	32	66	660
22057-1032X0700	AT10	32	70	700
22057-1032X0730	AT10	32	73	730
22057-1032X0780	AT10	32	78	780
22057-1032X0800	AT10	32	80	800
22057-1032X0840	AT10	32	84	840
22057-1032X0890	AT10	32	89	890
22057-1032X0920	AT10	32	92	920
22057-1032X0960	AT10	32	96	960
22057-1032X0980	AT10	32	98	980
22057-1032X1010	AT10	32	101	1010
22057-1032X1050	AT10	32	105	1050
22057-1032X1080	AT10	32	108	1080
22057-1032X1150	AT10	32	115	1150
22057-1032X1210	AT10	32	121	1210
22057-1032X1250	AT10	32	125	1250
22057-1032X1320	AT10	32	132	1320
22057-1032X1400	AT10	32	140	1400
22057-1032X1500	AT10	32	150	1500
22057-1032X1600	AT10	32	160	1600
22057-1032X1700	AT10	32	170	1700
22057-1032X1800	AT10	32	180	1800

