

Item description/product images



Description

Material:

Ball-bearing steel 100Cr6.
Seal, rubber NBR.

Version:

Sealed on both sides with a spherical outer ring.

Note:

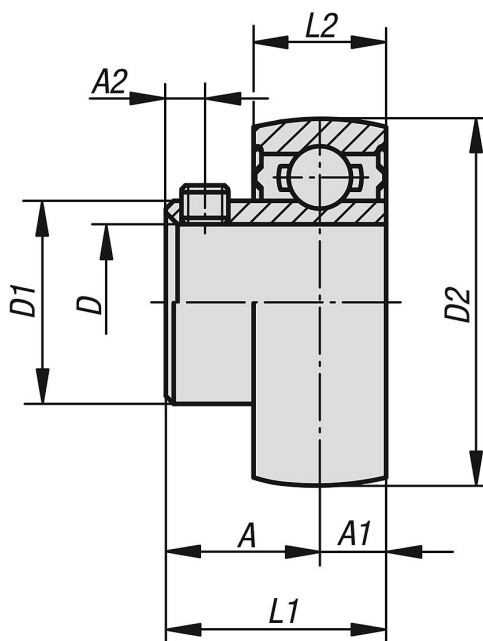
The internal construction of the insert bearings corresponds to that of standard Series 6200 and 6300 radial ball bearing. However, they have wider inner rings for easier fastening on shafts. The inner rings are manufactured with a plus tolerance. This results in transition or press fits when using shafts with h-tolerances. The shaft is secured by 2 grub screws positioned 120° apart on the inner ring.

The insert bearings are ready to install and are permanently lubricated with a suitable ball bearing grease.

Temperature range:

-15 °C to +100 °C.

Drawings



Overview of items

Order No.	Bearing	D	A	A1	A2	D1	D2	L1	L2	Grub screw	Dynamic base loads kN	Static base loads kN
24235-12201	B 201	12	16	6	4,5	24,7	40	22	12	M5x0,8	7,36	4,48
24235-15202	B 202	15	16	6	4,5	24,7	40	22	12	M5x0,8	7,36	4,48
24235-17203	B 203	17	16	6	4,5	24,7	40	22	12	M5x0,8	7,36	4,48
24235-20204	B 204	20	18	7	4,5	29	47	25	14	M5x0,8	9,88	6,2
24235-25205	B 205	25	19,5	7,5	5,5	34	52	27	15	M6x0,75	10,78	6,98
24235-30206	B 206	30	22	8	6	40,5	62	30	16	M6x0,75	14,97	10,04

Overview of items

Order No.	Bearing	D	A	A1	A2	D1	D2	L1	L2	Grub screw	Dynamic base loads kN	Static base loads kN
24235-35207	B 207	35	23,5	8,5	6,5	48	72	32	17	M8x1	19,75	13,67