

Item description/product images



Description

Material:

Bearing material maintenance-free iglidur® J.
Rails anodised aluminium.

Version:

Guide rail natural colour anodised.
Carriage fastening thread brass.

Note:

Miniature slide guides are maintenance-free and corrosion resistant. Very high speeds and accelerations are possible due to the low weight. Applicable temperature max. 80 °C.

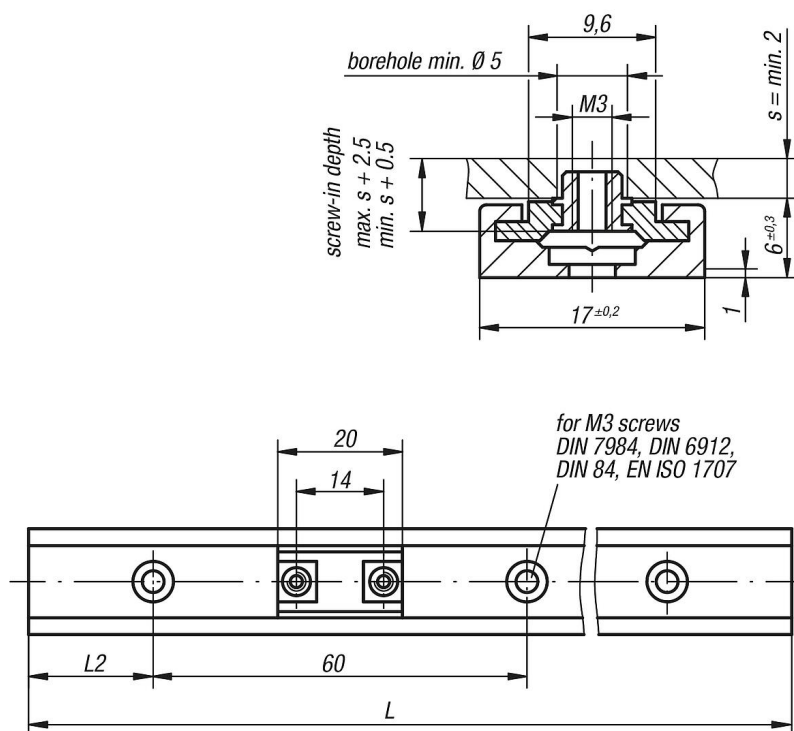
Miniature slide guides are insensitive to dust and ideally suited to dry running.

** lengths L2 = 20 mm

* and L = 500 mm included

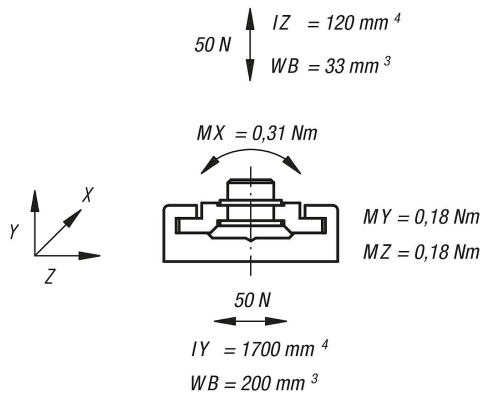
L2 and L only available in full mm.

Drawings



Drawings

static load capacity and geometrical moment of inertia



Overview of items

Carriage

| Order No. | Version 2 |
|------------|-----------|
| 21230-1700 | - |
| 21230-1710 | - |

Guide rails

| Order No. | Version | L max. | L2 |
|-----------------|---------|--------|----|
| 21230-1720X1960 | - | 1960 | 20 |

| Order No. | Version | L2 | L2 min. | L2 max. |
|--------------|---------|----|---------|---------|
| 21230-17**X* | - | ** | 20 | 49 |