

Item description/product images



Description

Material:

Carriage body zinc.

Plastic bearing material iglidur® J.

Rails anodised aluminium.

Version:

Body chromed.

Guide rail natural colour anodised.

Note:

Miniature slide guides are maintenance-free and corrosion resistant. Very high speeds and accelerations are possible due to the low weight. Applicable temperature max. 80 °C.

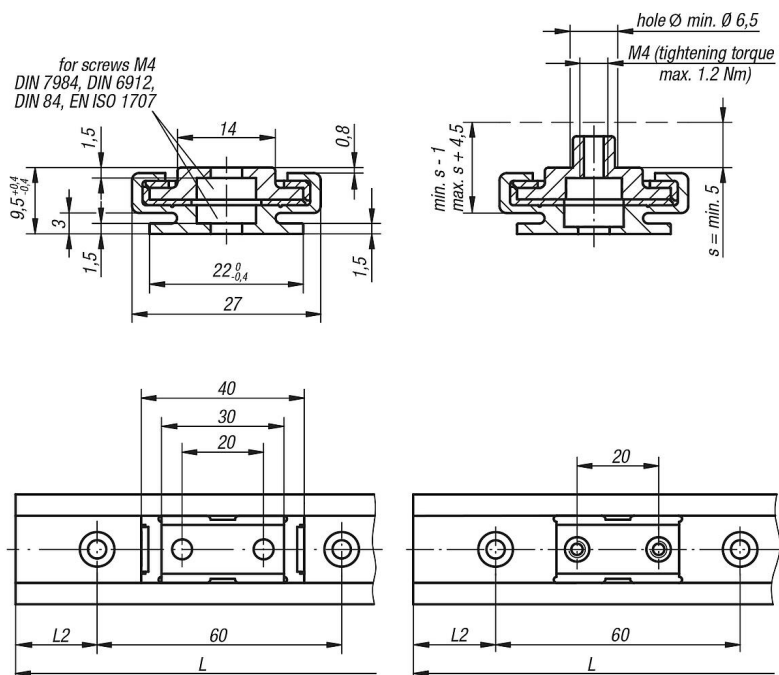
Miniature slide guides are insensitive to dust and are ideal for dry running.

** length L2 = 30 mm and

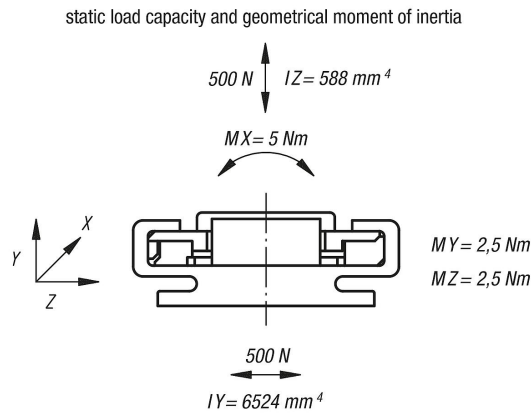
* L = 1000 mm included

L2 and L only available in full mm.

Drawings



Drawings



Overview of items

Carriage

Order No.	Item	Version 1	Version 2
21230-2700	Guide Carriage	fixed bearing	with through hole
21230-2701	Guide Carriage	floating bearing	with through hole
21230-2710	Guide Carriage	fixed bearing	with tapped holes
21230-2711	Guide Carriage	floating bearing	with tapped holes

Guide rails

Order No.	Item	L max.	L2
21230-2730X3000	Guide Rail	3000	30

Order No.	Item	Version 1	Version 2	L max.	L	L2	L2 min.	L2 max.
21230-27**X*	Guide Rail	L2 and L customer specific	with through hole	3000	*	**	20	49