

Item description/product images

**Description****Material:**

Aluminium.

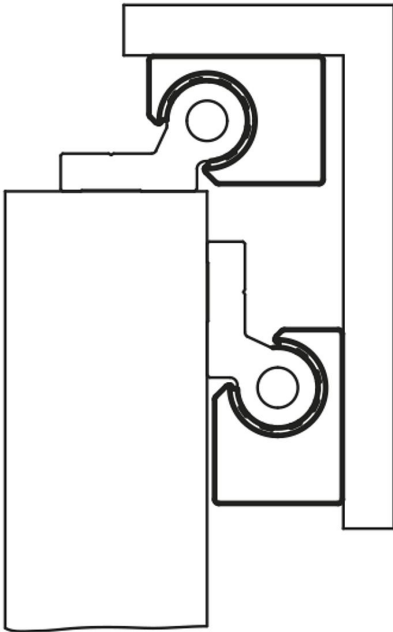
Version:

Hard anodised, layer thickness 50 µm.

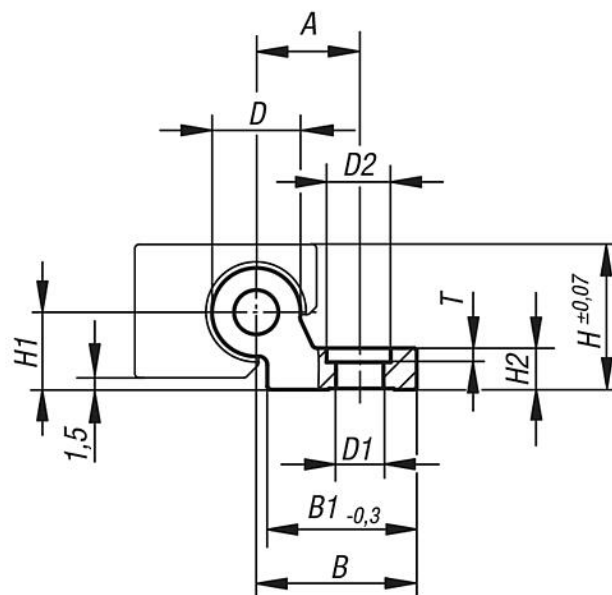
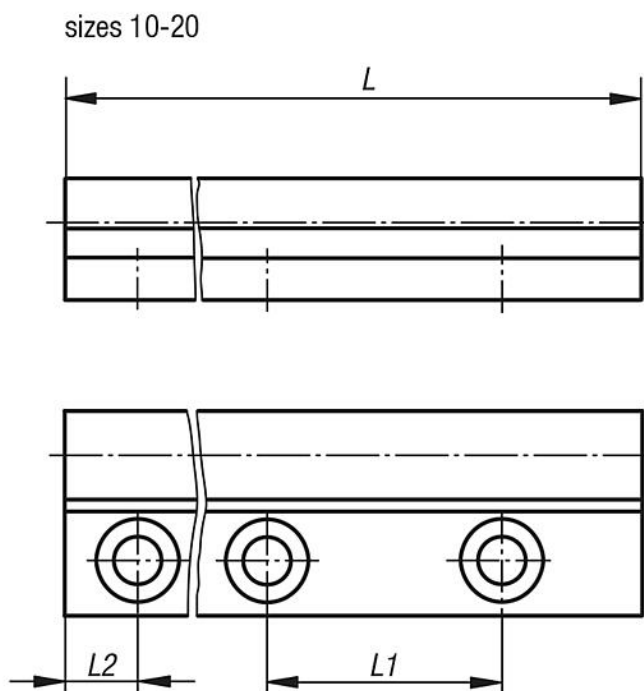
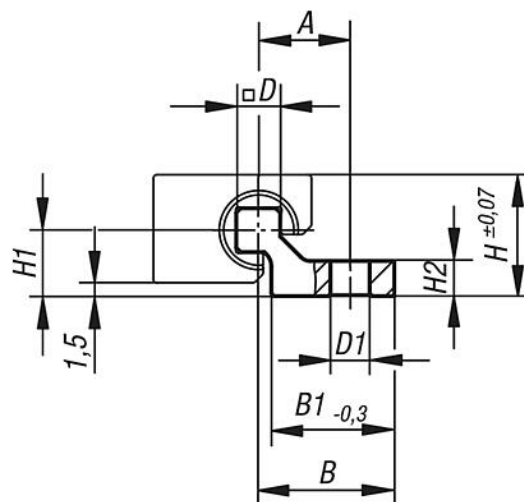
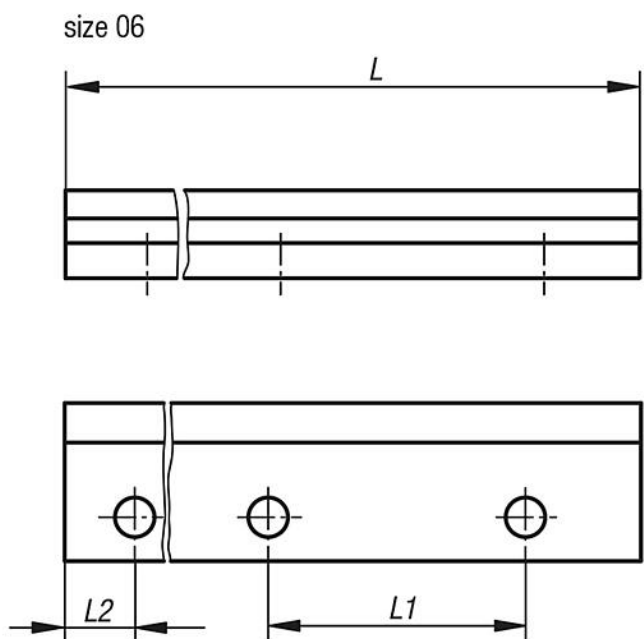
Hardness 500 HV

Note:

Single guide rails enable highest flexibility during construction and easy assembly. Can be used to compensate for height differences in height. Hard anodised aluminium is used as rail material and ensures best friction and wear results. Robust and dirt resistant for transporting heavy loads safely and maintenance-free.



Drawings



Overview of items

Order No.	Version	Size	L max.	L2	A	B	B1	D	D1	D2	H	H1	H2	L1	T
21240-10630X3000	L max.	6	3000	30	10,5	15,5	14	5	4,5	-	14	7,5	4	60	-
21240-11030X4000	L max.	10	4000	20	17	27	27	10	6,6	-	18	9	5,5	120	-
21240-11630X4000	L max.	16	4000	20	19	29	27	16	9	15	27	14	7,5	120	4
21240-12030X4000	L max.	20	4000	20	21	31	27	20	9	15	36	20	9,5	120	5

Overview of items

Order No.	Version	Size	L max.	L2	L2 min.	L2 max.	A	B	B1	D	D1	D2	H	H1	H2	L1	T
21240-106**X*	L2 and L customer specific	6	*	**	20	49,5	10,5	15,5	14	5	4,5	-	14	7,5	4	60	-
21240-110**X*	L2 and L customer specific	10	*	**	20	79,5	17	27	27	10	6,6	-	18	9	5,5	120	-
21240-116**X*	L2 and L customer specific	16	*	**	20	79,5	19	29	27	16	9	15	27	14	7,5	120	4
21240-120**X*	L2 and L customer specific	20	*	**	20	79,5	21	31	27	20	9	15	36	20	9,5	120	5