

Item description/product images



Description

Material:

Steel.

Version:

Electro zinc-plated.

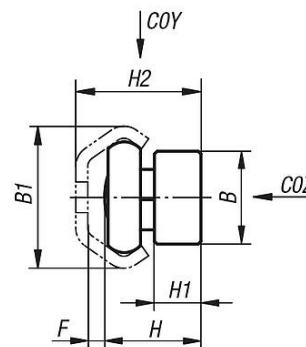
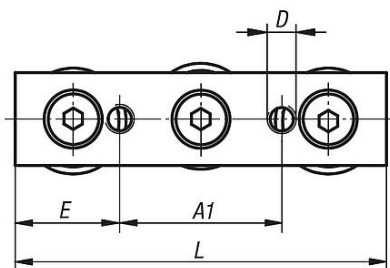
Note:

Roller carriage with low coefficient of friction, therefore very free-running. The roller journals are lifetime-lubricated and have a 2Z (dust cover) seal. By simply moving the centre cam roller, the roller carriage can be adjusted to be play-free or under the desired initial tension in the rail. The compact version has a plastic stripper for cleaning the tracks.

Application temperature -30 °C to +120 °C.

Drawings

fixed bearing
heavy duty model



Overview of items

Order No.	Size	A1	B	B1	D	E	F	H	H1	H2	L	COY N	COZ N
21320-220060	20	20	10	19,2	M5	20	2,6	13	6	17,8	60	326	185
21320-230080	30	35	20	29,5	M6	22,5	3,3	20,7	10	26,5	80	870	435
21320-245120	45	55	25	46,4	M8	32,5	5,1	28,9	12	38	120	1740	935