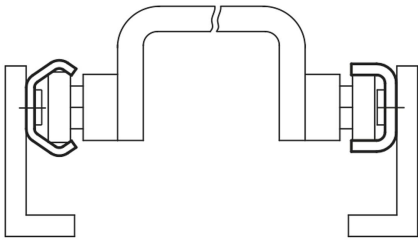


Item description/product images

**Description****Material:**

Steel.

Version:

Electro zinc-plated.

Note:

Stamped and rolled guide rails.

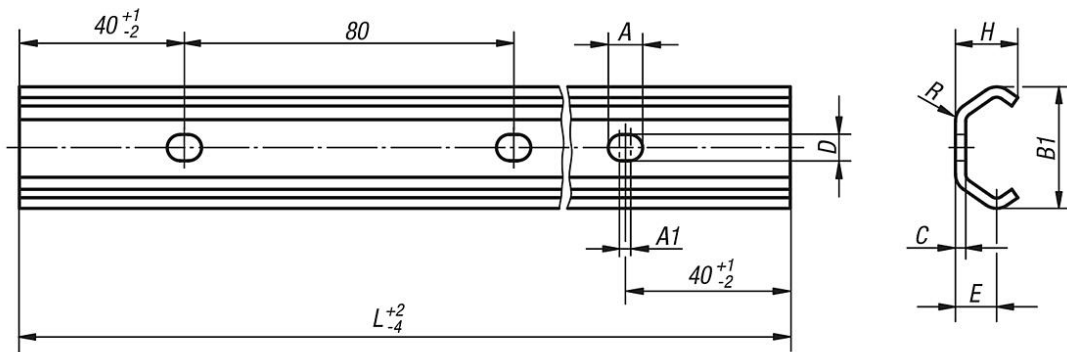
The fixed bearing rail is the main absorber of radial and axial forces. The floating bearing rail serves to absorb the load of radial forces and, in combination with the fixed bearing rail, as a support bearing for absorbing torques that occur. In the connection of the fixed and the floating bearings, the floating bearing rail compensates for parallelism errors and tolerances.

On request:

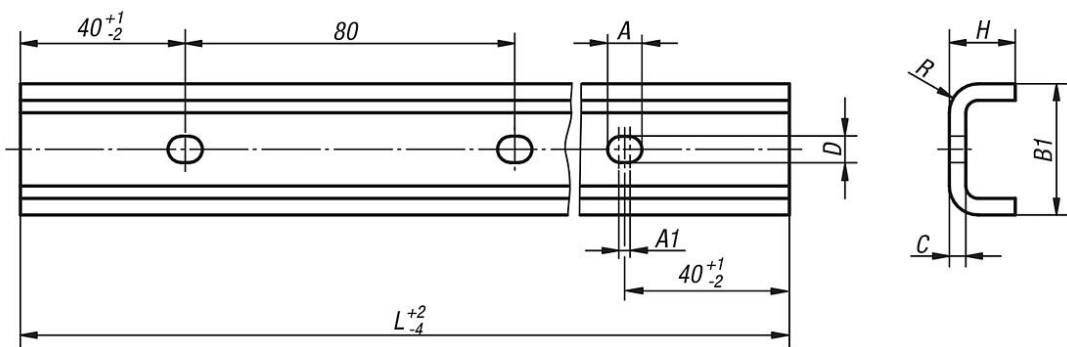
Lengths up to a max. 3120 mm.

Drawings

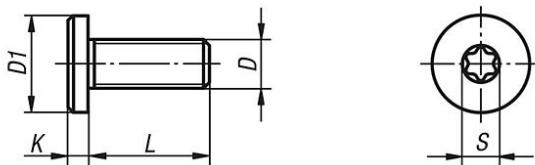
roller guide rail for fixed bearing



roller guide rail for floating bearing



fastening screw



Overview of items

Roller guide rails for fixed bearing

Order No.	Size	A	A1	B1	C	D	E	H	L	R
21320-120X0800	20	7	2,5	19,2	2	4,5	6,9	10,2	800	3
21320-120X1040	20	7	2,5	19,2	2	4,5	6,9	10,2	1040	3
21320-120X2080	20	7	2,5	19,2	2	4,5	6,9	10,2	2080	3
21320-120X3120	20	7	2,5	19,2	2	4,5	6,9	10,2	3120	3
21320-130X0800	30	11	5	29,5	2,5	6	10	14,1	800	4,5
21320-130X1040	30	11	5	29,5	2,5	6	10	14,1	1040	4,5
21320-130X2080	30	11	5	29,5	2,5	6	10	14,1	2080	4,5
21320-130X3120	30	11	5	29,5	2,5	6	10	14,1	3120	4,5
21320-145X0800	45	11	2	46,4	4	9	15,5	24	800	6,5
21320-145X1040	45	11	2	46,4	4	9	15,5	24	1040	6,5
21320-145X2080	45	11	2	46,4	4	9	15,5	24	2080	6,5
21320-145X3120	45	11	2	46,4	4	9	15,5	24	3120	6,5

Roller guide rails for floating bearing

Overview of items

Order No.	Size	A	A1	B1	C	D	H	L	R
21320-230X0800	30	11	5	29,8	3	6	16	800	6
21320-230X1040	30	11	5	29,8	3	6	16	1040	6
21320-230X2080	30	11	5	29,8	3	6	16	2080	6
21320-230X3120	30	11	5	29,8	3	6	16	3120	6
21320-245X0800	45	11	2	43,8	4	9	24,5	800	9
21320-245X1040	45	11	2	43,8	4	9	24,5	1040	9
21320-245X2080	45	11	2	43,8	4	9	24,5	2080	9
21320-245X3120	45	11	2	43,8	4	9	24,5	3120	9

Fastening screws

Order No.	D	D1	K	L	S	Suitable for	Tightening torque Nm
21320-0408	M4	8	2	8	T20	size 20	4
21320-0510	M5	10	2	10	T25	size 30	9
21320-0816	M8	16	3	16	T40	size 45	22