

Item description/product images



**Description**

**Material:**

Race body steel.  
Wiper modified polyamide.  
Rollers steel 1.3505.

**Version:**

Race body electro zinc-plated.

**Note:**

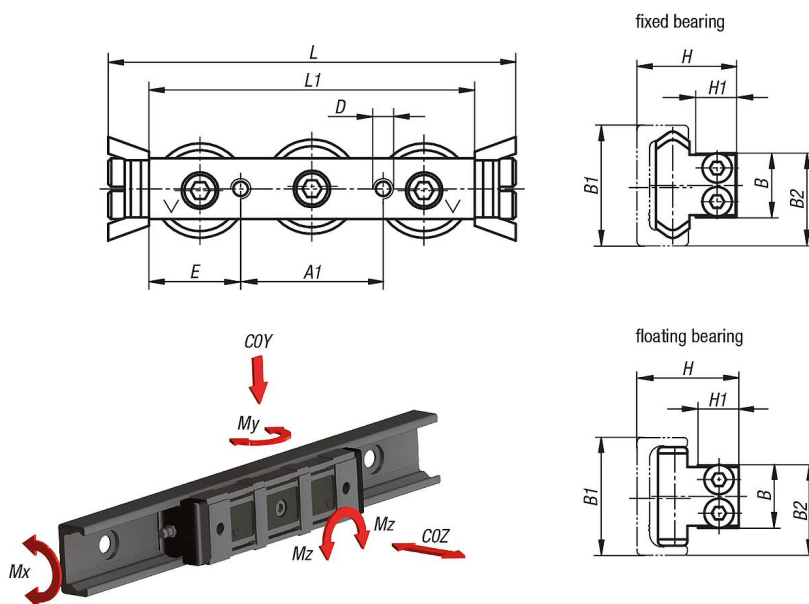
Roller carriages with lifetime lubricated ball bearings and polyamide wipers that protect the tracks from dirt.  
A simple adjustment of the middle roller makes the roller carriage play-free or sets the desired preload in the rail.  
High traverse speeds of up to 7 m/s and extremely quiet (faster and quieter than systems with recycling ball bearings).

Application temperature -30°C to +120°C.

**On request:**

Roller carriages with 4 or 5 rollers.

Drawings



Overview of items

**Fixed bearing**

Order No.	Size	A1	B	B1	B2	D	E	H	H1	L	L1	C dynamic N	COY N	COZ N	Mx Nm	My Nm	Mz Nm
21322-1118060	18	20	9,5	18	14	M5	20	15	5,7	76	60	1530	820	260	1,5	4,7	8,2
21322-1128080	28	35	14,9	28	21,7	M5	22,5	23,9	9,7	100	80	4260	2170	640	6,2	16	27,2
21322-1135100	35	45	19,9	35	27,85	M6	27,5	30,2	11,9	120	100	8040	3510	1060	12,9	33,7	61,5
21322-1143120	43	55	24,9	43	34,3	M8	32,5	37	14,5	140	120	12280	5500	1570	23,6	60	104,5

## Overview of items

## Floating bearing

Order No.	Size	A1	B	B1	B2	D	E	H min.	H max.	H1	L	L1	C dynamic N	COY N	Mz Nm
21322-1218060	18	20	9,5	18	14	M5	20	14,7	16,1	5,7	76	60	1530	820	8,2
21322-1228080	28	35	14,9	28	21,7	M5	22,5	23,3	25,2	9,7	100	80	4260	2170	27,2
21322-1235100	35	45	19,9	35	27,85	M6	27,5	28,9	32,9	11,9	120	100	8040	3510	61,5
21322-1243120	43	55	24,9	43	34,3	M8	32,5	35,6	39,5	14,5	140	120	12280	5500	104,5