

## Item description/product images



## Description

**Material:**

Race body die-cast aluminium.  
End pieces polyester.  
Wipers modified polyamide.  
longitudinal seals rubber.  
Rollers steel 1.3505.

**Version:**

Runner body nickel-plated.

**Note:**

Roller carriage with lifetime lubricated ball bearings and patented wiper technology which lubricates the system while in motion.

A simple adjustment of the middle roller makes the roller carriage play-free or sets the desired preload in the rail.

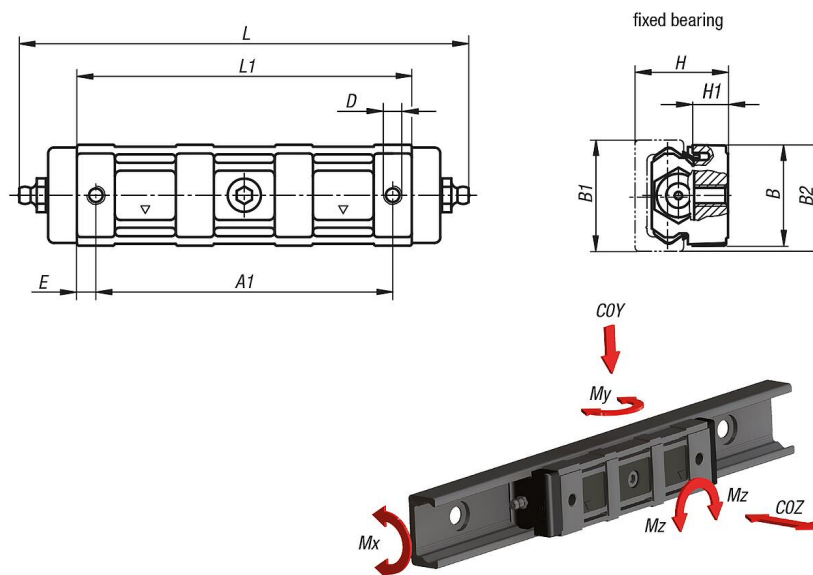
High traverse speeds of up to 7 m/s and extremely quiet (faster and quieter than systems with recycling ball bearings).

Application temperature -30 °C to +120 °C.

**On request:**

Roller carriages with 4 or 5 rollers.

## Drawings



## Overview of items

