

Item description/product images



Description

Material:

Race body die-cast aluminium.
End pieces polyester.
Wipers modified polyamide.
longitudinal seals rubber.
Rollers steel 1.3505.

Version:

Runner body nickel-plated.

Note:

Roller carriage with lifetime lubricated ball bearings and patented wiper technology which lubricates the system while in motion.

A simple adjustment of the middle roller makes the roller carriage play-free or sets the desired preload in the rail.

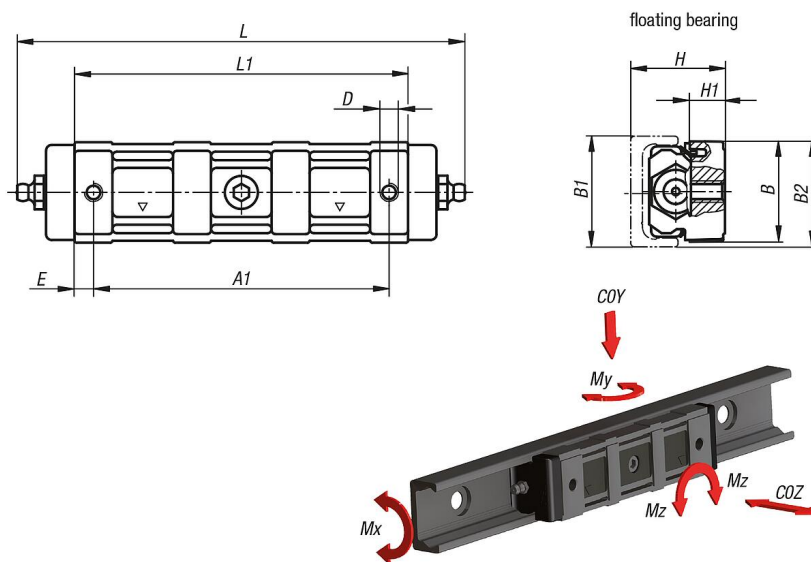
High traverse speeds of up to 7 m/s and extremely quiet (faster and quieter than systems with recycling ball bearings).

Application temperature -30 °C to +120 °C.

On request:

Roller carriages with 4 or 5 rollers.

Drawings



Overview of items