

Item description/product images



Description

Material:

Body carbon steel.
Balls roller bearing steel.
Diverters plastic.

Version:

Bright.

Note:

Guide carriage with flange with recirculating ball guidance precision N not preloaded (Z0). With double-sided end seal. 4-row versions with round arch profile. The profile guide rail tracks are arranged at 45° and can accept loads from all directions.

High dynamic values: $v = 5 \text{ m/s}$.

Applicable temperature in continuous use max. 80 °C.

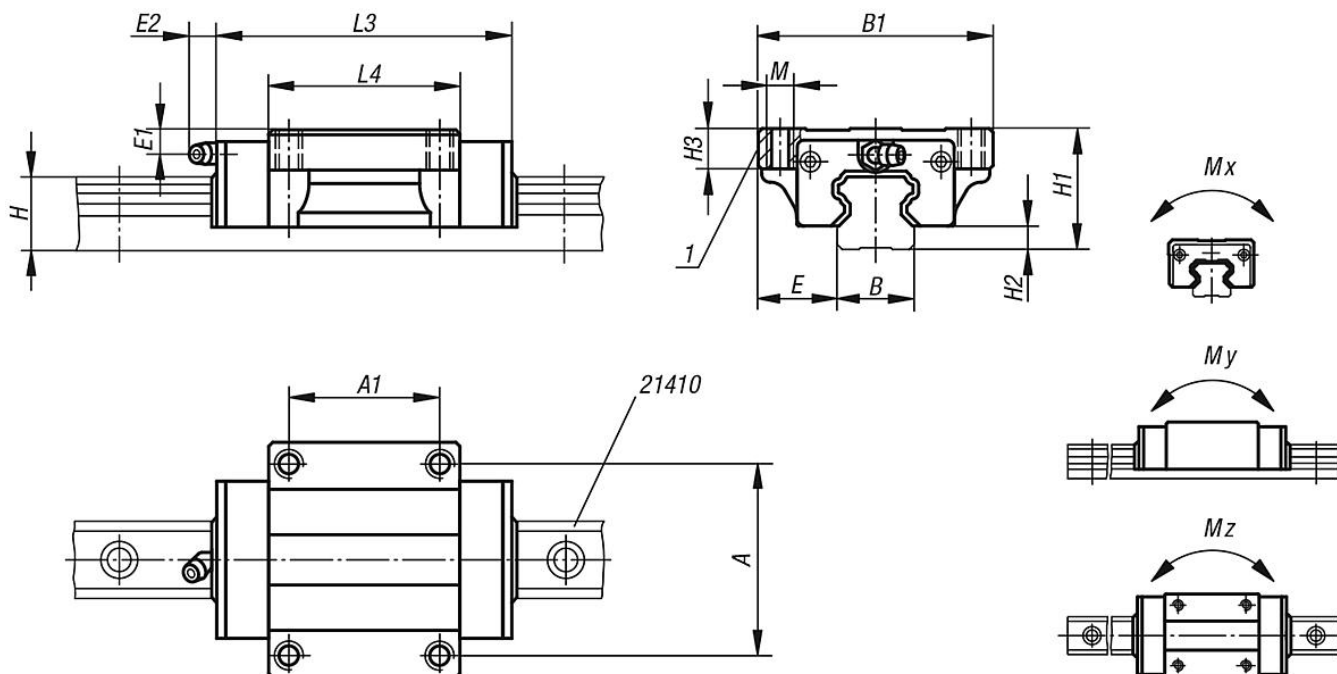
On request:

Various precision and preload classes.

Drawing reference:

1) ground ref. edge

Drawings



Overview of items

Order No.	Version	Size	Mx Nm	My Nm	Mz Nm	Dynamic load rating N	Static load rating N	Lubrication hole	A	A1	B	B1	E	E1	E2	H	H1	H2	H3	L3	L4	M
21402-15106601	standard	15	70	50	50	6850	12700	∅3	38	30	15	47	16	4,3	5	14	24	4,6	8	66	40	M5
21402-20107801	standard	20	220	180	180	14500	25600	M6x1	53	40	20	63	21,5	5	13,5	18	30	5	9	77,8	48,8	M6
21402-25108801	standard	25	360	320	310	21400	40000	M6x1	57	45	23	70	23,5	5	13,5	22	36	7	12	88	57	M8

Overview of items

Order No.	Version	Size	Mx Nm	My Nm	Mz Nm	Dynamic load rating N	Static load rating N	Lubrication hole	A	A1	B	B1	E	E1	E2	H	H1	H2	H3	L3	L4	M
21402-30110901	standard	30	600	500	490	29800	54900	M6x1	72	52	28	90	31	7	13	26	42	9	12	109	72	M10
21402-25211001	long	25	504	448	434	29960	56000	M6x1	57	45	23	70	23,5	5	13,5	22	36	7	12	110,1	79,1	M8
21402-30213101	long	30	785	650	650	39000	71900	M6x1	72	52	28	90	31	7	13	26	42	9	12	131,3	94,3	M10