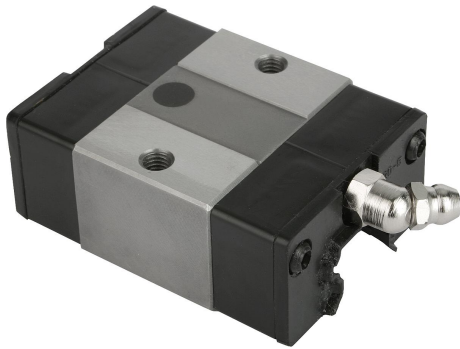


Item description/product images



**Description**

**Material:**

Body carbon steel.  
 Balls roller bearing steel.  
 Diverters plastic.

**Version:**

Bright.

**Note:**

Compact guide carriage with recirculating ball guide precision N not preloaded (Z0).  
 With double-sided end seal. 4-row versions with round arch profile. The profile guide rail tracks are arranged at 45° and can accept loads from all directions.

High dynamic values:  $v = 5$  m/s.

Applicable temperature in continuous use max. 80 °C.

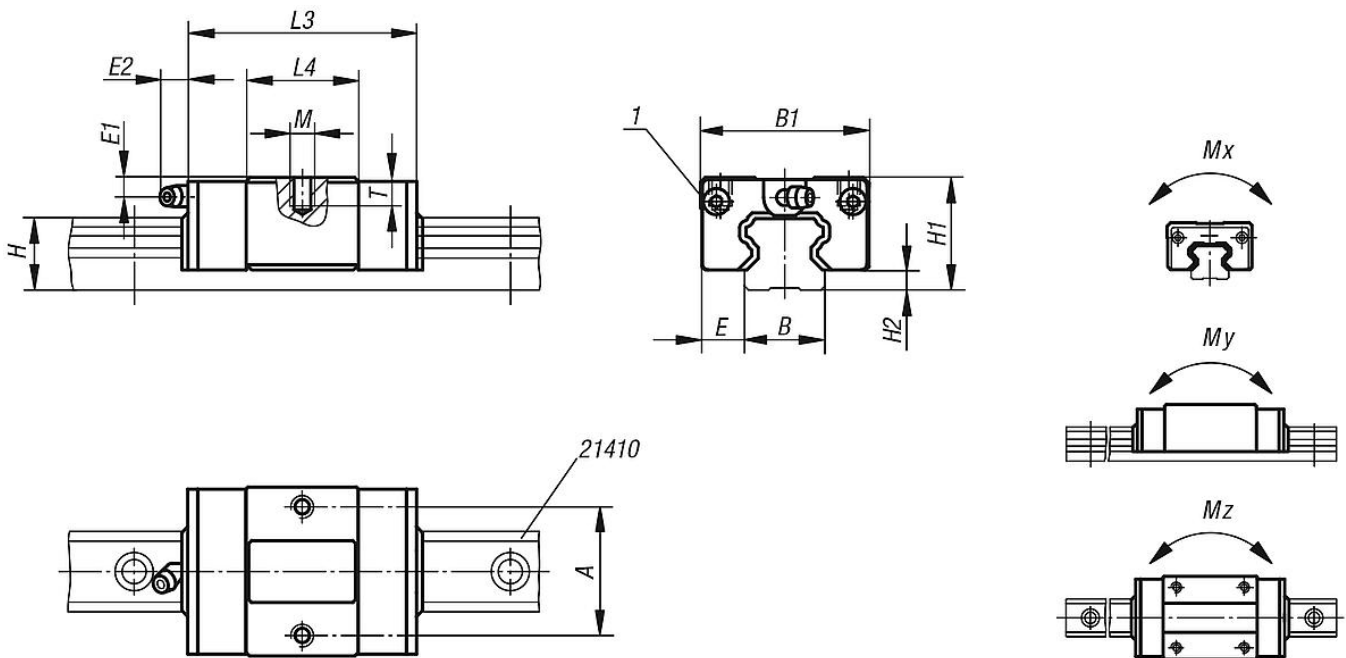
**On request:**

Various precision and preload classes.

**Drawing reference:**

1) ground ref. edge

Drawings



Overview of items

Order No.	Size	Mx Nm	My Nm	Mz Nm	Dynamic load rating N	Static load rating N	Lubrication hole	A	B	B1	E	E1	E2	H	H1	H2	L3	L4	M	T
21406-15004801	15	40	28	28	3900	7250	Ø3	26	15	34	9,5	4,3	5	14	24	4,6	47,6	21,6	M4	5,6
21406-20005801	20	126	103	103	8300	14700	M6x1	32	20	42	11	5	13,5	18	28	5	58	28	M5	7
21406-25006301	25	200	175	172	11900	22300	M6x1	35	23	48	12,5	4,8	13,5	22	33	7	62,5	31,5	M6	8,4

## Overview of items

Order No.	Size	Mx Nm	My Nm	Mz Nm	Dynamic load rating N	Static load rating N	Lubrication hole	A	B	B1	E	E1	E2	H	H1	H2	L3	L4	M	T
21406-30007601	30	320	270	270	15950	29400	M6x1	40	28	60	16	7	13	26	42	9	75,6	38,6	M8	11,2