

Item description/product images

**Description****Material:**

Outer jacket ball bearing steel.

Cage steel.

Balls steel.

Note:

The linear ball bearings correspond to series 3 of ISO 10285. With double-sided seals and a steel cage. The bearing is secured with DIN 471/472 circlips.

Recommended tolerances:

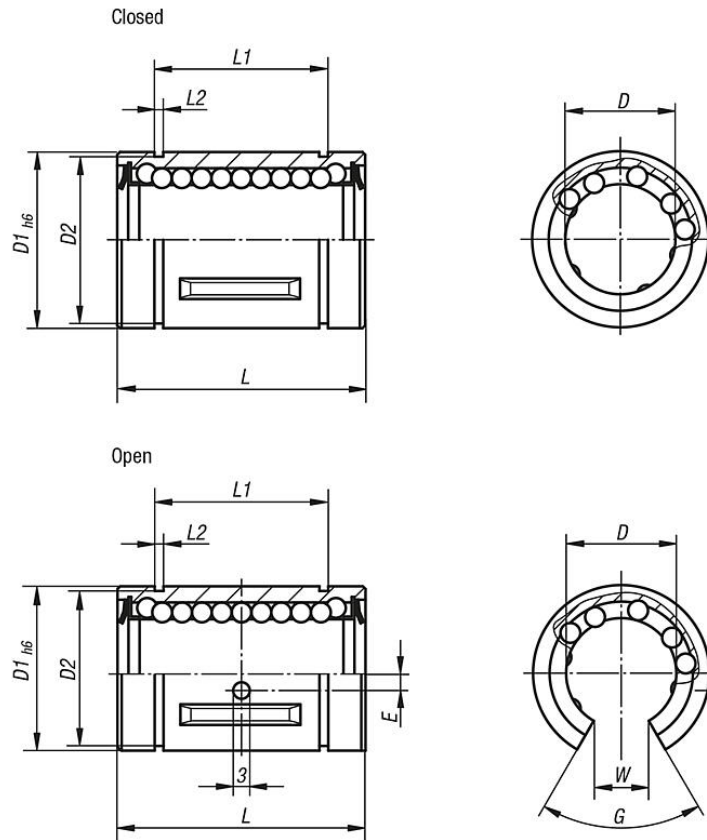
Shaft: h6

Housing: H7

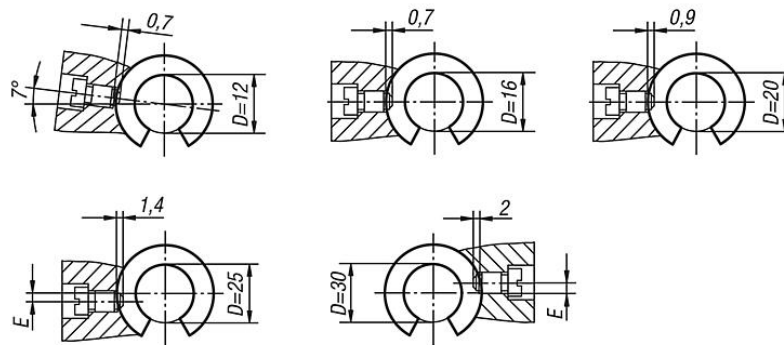
Linear ball bearings with double-sided seals should be greased before installation.

The specified load ratings apply with the use of hardened and ground shafts.

Drawings



Position of radial and axial fastener



Overview of items

Order No. closed	Order No. open	D	D1	D2	E	G	L	L1	L2	W	Dynamic load rating N	Static load rating N
21505-1202	21505-1212	12	22	21	-1,35	-78°	32 -0,2	22,9 -0,2	1,3	-7,5	420	714
21505-1602	21505-1612	16	26	24,9	-/0	-78°	36 -0,2	24,9 -0,2	1,3	-/10	686	1092
21505-2002	21505-2012	20	32	30,3	-/0	-60°	45 -0,2	31,5 -0,2	1,6	-/10	924	1610
21505-2502	21505-2512	25	40	37,5	-/1,5	-60°	58 -0,3	44,1 -0,3	1,85	-/12,5	1470	2590
21505-3002	21505-3012	30	47	44,5	-/2	-50°	68 -0,3	52,1 -0,3	1,85	-/12,5	2100	3920

