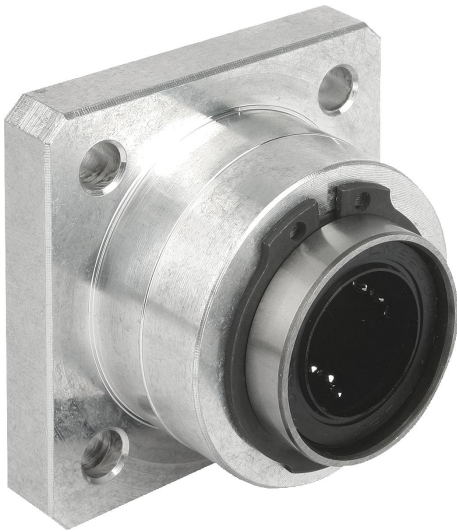


## Item description/product images



## Description

**Material:**

Housing aluminium or grey cast iron.

**Version:**

Housing bright.

**Note:**

Ready to install linear housing units consisting of an extruded aluminium housing with a self-aligning linear ball bearing 21510 and seals both sides. The bearings are secured in the housing with DIN 472 circlips.

Recommended shaft tolerance: h6.

Load ratings according to the linear ball bearings specifications.

**On request:**

Linear housing units can be equipped with any of our linear ball bearings.

**Attention:**

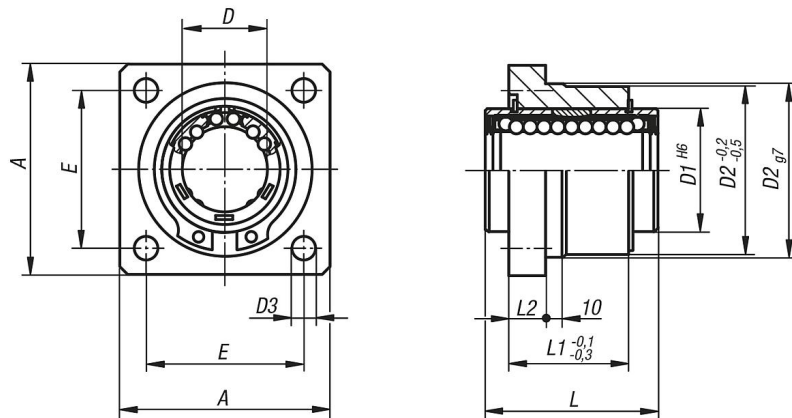
Attention: The diameter D2 by article 21522-501002 is not machined, no g7 centring diameter.

**Accessory:**

Precision guide shafts 21595.

Fastening screws 07160 or 07161.

## Drawings



## Overview of items

Order No.	Main material	A	D	D1	D2	D3	E	L	L1	L2
21522-121002	aluminium	40	12	22	32	5,5	30	32	22	6
21522-161002	aluminium	50	16	26	38	5,5	35	36	24	8
21522-201002	aluminium	60	20	32	46	6,6	42	45	30	10
21522-251002	aluminium	70	25	40	58	6,6	54	58	42	12
21522-301002	aluminium	80	30	47	66	9	60	68	50	14
21522-401002	aluminium	100	40	62	90	11	78	80	59	16
21522-501002	grey cast iron	130	50	75	100	11	98	100	75	18

