

Item description/product images



Description

Material:

Ring steel.

Rubber NBR.

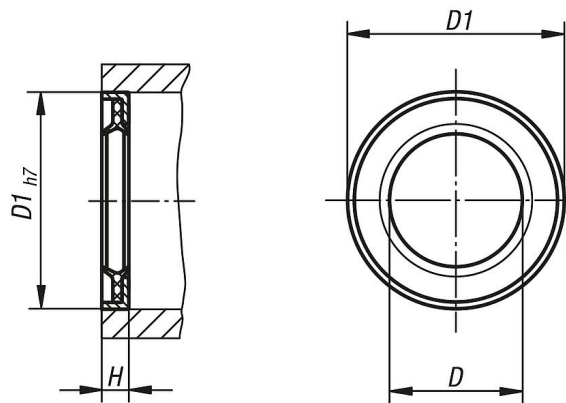
Note:

In addition to the standard seals for linear ball bearings, these end seals are also available. The end seals give much better protection from dirt and dust.

The seals are inserted into the housing bores (tolerance H7) in front of the bearings and secured with glue.

Drawings

Closed



Overview of items

Order No.	Version	D	D1	H
21560-120	closed	12	22	3
21560-160	closed	16	26	3
21560-200	closed	20	32	4
21560-250	closed	25	40	4
21560-300	closed	30	47	5
21560-400	closed	40	62	5