

Item description/product images



Description

Material:

Steel.
Stainless steel 1.4305.

Version:

Steel black oxidised.
Stainless steel bright.

Note:

Rigid couplings transmit high torques without rotational play. They are used where there are no shaft displacements or alignment errors. Wear-free and maintenance-free. Screws secured to avoid vibration induced loosening.

The maximum torque transmission can only be achieved through optimal installation and correct shaft dimensions.

Maximum speed 4000 rpm.

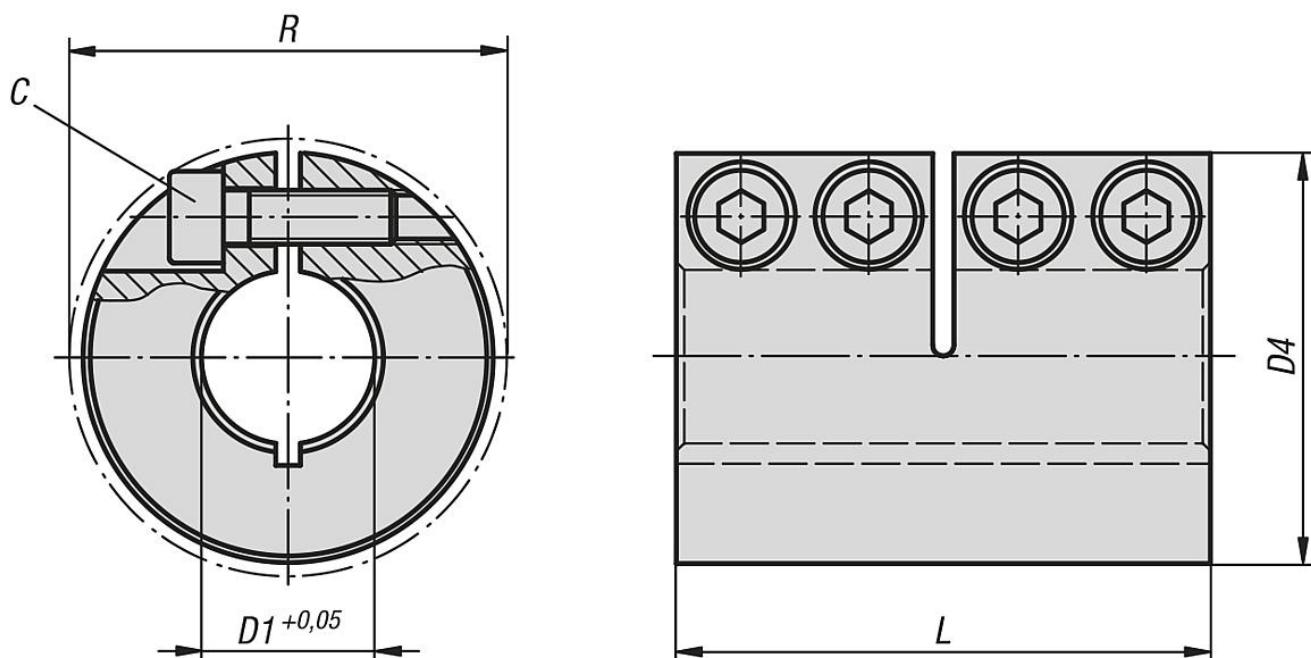
Temperature range:

-40 °C - +175 °C.

On request:

Other dimensions.

Drawings



Overview of items

One-piece rigid couplings, steel

Overview of items

Order No.	Main material	C (DIN 912-12.9)	Tightening torque of screws Nm	D1	D4	L	R	Nominal torque Nm
23050-1080	steel	M3x8	2,1	8	24	35	26,8	50
23050-1100	steel	M4x12	4,6	10	29	45	32,7	70
23050-1120	steel	M4x12	4,6	12	29	45	32,7	70
23050-1140	steel	M5x16	9,5	14	34	50	39,4	190
23050-1150	steel	M5x16	9,5	15	34	50	39,4	190
23050-1160	steel	M5x16	9,5	16	34	50	39,4	190
23050-1190	steel	M6x18	16	19	42	65	48,2	300
23050-1200	steel	M6x18	16	20	42	65	48,2	350
23050-1350	steel	M8x25	39	35	67	95	74,1	1100
23050-1250	steel	M6x18	16	25	45	75	50,8	390
23050-1300	steel	M6x18	16	30	54	83	58,6	475
23050-1400	steel	M8x25	39	40	77	108	83,4	1325
23050-1500	steel	M10x25	77	50	85	124	93,2	2250

One-piece rigid couplings, stainless steel

Order No.	Main material	C (DIN 912 A2-70)	Tightening torque of screws Nm	D1	D4	L	R	Nominal torque Nm
23050-2080	stainless steel	M3x8	1,1	8	24	35	26,8	16
23050-2100	stainless steel	M4x12	2,5	10	29	45	32,7	70
23050-2120	stainless steel	M4x12	2,5	12	29	45	32,7	70
23050-2140	stainless steel	M5x16	5,4	14	34	50	39,4	160
23050-2150	stainless steel	M5x16	5,4	15	34	50	39,4	160
23050-2160	stainless steel	M5x16	5,4	16	34	50	39,4	160
23050-2190	stainless steel	M6x18	9,6	19	42	65	48,2	260
23050-2200	stainless steel	M6x18	9,6	20	42	65	48,2	300
23050-2250	stainless steel	M6x18	9,6	25	45	75	50,8	325
23050-2300	stainless steel	M6x18	9,6	30	54	83	58,6	400
23050-2350	stainless steel	M8x25	23	35	67	95	74,1	330
23050-2400	stainless steel	M8x25	23	40	77	108	83,4	400
23050-2500	stainless steel	M10x25	46	50	85	124	93,2	688