

Item description/product images



Description

Material:

Steel.

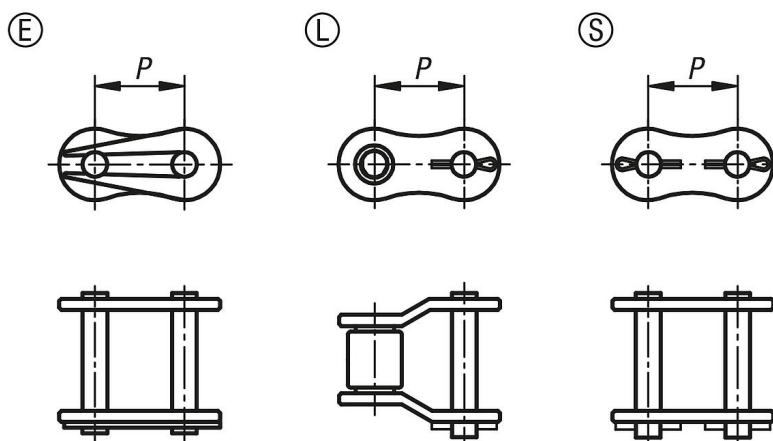
Note:

Links for single roller chains acc. to DIN ISO 606.

With Form E, the spring clips must be mounted with the closed end pointing in the direction of travel.

Offset links are required to close the chain if there is an odd number of links. Using offset links reduces the power and tensile strength by 20%.

Drawings



Overview of items

Order No.	Form	Form definition	ISO No.	P	Suitable for chains
22200-30800030	E	link with spring clip connection	05 B-1	8	8,0 x 3,0mm
22200-30380732	E	link with spring clip connection	06 B-1	9,525	3/8 x 7/32
22200-30120516	E	link with spring clip connection	08 B-1	12,7	1/2 x 5/16
22200-30580308	E	link with spring clip connection	10 B-1	15,875	5/8 x 3/8
22200-30340716	E	link with spring clip connection	12 B-1	19,05	3/4 x 7/16
22200-31001702	E	link with spring clip connection	16 B-1	25,4	1 x 17,02 mm
22200-40800030	L	Connecting link with spring clip	05 B-1	8	8,0 x 3,0mm
22200-40380732	L	Connecting link with spring clip	06 B-1	9,525	3/8 x 7/32
22200-40120516	L	Connecting link with spring clip	08 B-1	12,7	1/2 x 5/16
22200-40580308	L	Connecting link with spring clip	10 B-1	15,875	5/8 x 3/8
22200-40340716	L	Connecting link with spring clip	12 B-1	19,05	3/4 x 7/16
22200-41001702	L	Connecting link with spring clip	16 B-1	25,4	1 x 17,02 mm
22200-41140340	L	Connecting link with spring clip	20 B-1	31,75	1 1/4 x 3/4
22200-41121000	L	Connecting link with spring clip	24 B-1	38,1	1 1/2 x 1
22200-51140340	S	link with cotter pin	20 B-1	31,75	1 1/4 x 3/4
22200-51121000	S	link with cotter pin	24 B-1	38,1	1 1/2 x 1

