

Item description/product images



Description

Material:

High-performance polymer iglidur® G, iglidur® J or iglidur® X.

Version:

igidur® G grey;
igidur® J yellow;
igidur® X black

Note:

Plastic high-performance polymer plain bearings.

- maintenance-free
- lubricant-free
- corrosion-resistant
- resistant to dirt
- high dimensional precision
- high pressure resistance
- good heat dissipation
- very low creep tendencies
- high mechanical damping
- resistant to UV radiation.

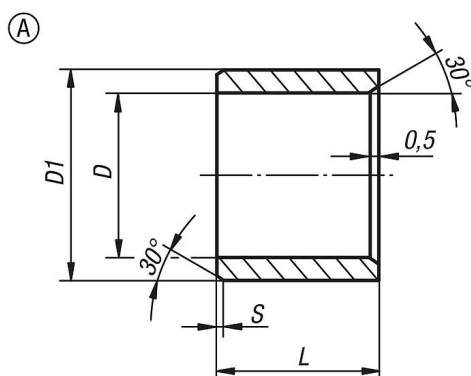
Material	Note	largest dimensions sizes in dry run	for high loads	for high temperatures	low friction/ high speed	dirt resistant	chemical resistant	low water absorption	good for edge loading	possible after water	good electric	electrical conductivity
igidur® G	no oil resistance	•	•	•	•	•	•	•	•	•	•	•
igidur® J	low coefficients of friction	•	•	•	•	•	•	•	•	•	•	•
igidur® X	temperature and chemical resistant	•	•	•	•	•	•	•	•	•	•	•

Assembly:

The bearings are designed for press fits in H7 bores. After pressing in, the ID of the bearing will be diameter D with the relative tolerance.

The bearings are suitable for shafts with h tolerance (recommended min. h9).

Drawings



Overview of items

Order No.	Form	Version 2	D	D1	L	S	Tolerance D after force fitting	Max. permissible static surface pressure N/mm ²	Temperature range
23710-11050705	A	IGLIDUR® G	5	7	5	0,3	E10	80	-40 °C to +130 °C
23710-11060806	A	IGLIDUR® G	6	8	6	0,5	E10	80	-40 °C to +130 °C
23710-11081008	A	IGLIDUR® G	8	10	8	0,5	E10	80	-40 °C to +130 °C
23710-11101210	A	IGLIDUR® G	10	12	10	0,5	E10	80	-40 °C to +130 °C
23710-11121410	A	IGLIDUR® G	12	14	10	0,8	E10	80	-40 °C to +130 °C

Overview of items

Order No.	Form	Version 2	D	D1	L	S	Tolerance D after force fitting	Max. permissible static surface pressure N/mm ²	Temperature range
23710-11141615	A	IGLIDUR® G	14	16	15	0,8	E10	80	-40 °C to +130 °C
23710-11151720	A	IGLIDUR® G	15	17	20	0,8	E10	80	-40 °C to +130 °C
23710-11161820	A	IGLIDUR® G	16	18	20	0,8	E10	80	-40 °C to +130 °C
23710-11202320	A	IGLIDUR® G	20	23	20	0,8	E10	80	-40 °C to +130 °C
23710-11252820	A	IGLIDUR® G	25	28	20	0,8	E10	80	-40 °C to +130 °C
23710-11303430	A	IGLIDUR® G	30	34	30	0,8	E10	80	-40 °C to +130 °C
23710-21050705	A	IGLIDUR® J	5	7	5	0,3	E10	35	-50 °C to +90 °C
23710-21060806	A	IGLIDUR® J	6	8	6	0,5	E10	35	-50 °C to +90 °C
23710-21081008	A	IGLIDUR® J	8	10	8	0,5	E10	35	-50 °C to +90 °C
23710-21101210	A	IGLIDUR® J	10	12	10	0,5	E10	35	-50 °C to +90 °C
23710-21121410	A	IGLIDUR® J	12	14	10	0,8	E10	35	-50 °C to +90 °C
23710-21141615	A	IGLIDUR® J	14	16	15	0,8	E10	35	-50 °C to +90 °C
23710-21151720	A	IGLIDUR® J	15	17	20	0,8	E10	35	-50 °C to +90 °C
23710-21161820	A	IGLIDUR® J	16	18	20	0,8	E10	35	-50 °C to +90 °C
23710-21202320	A	IGLIDUR® J	20	23	20	0,8	E10	35	-50 °C to +90 °C
23710-21252820	A	IGLIDUR® J	25	28	20	0,8	E10	35	-50 °C to +90 °C
23710-21303430	A	IGLIDUR® J	30	34	30	0,8	E10	35	-50 °C to +90 °C
23710-31050705	A	IGLIDUR® X	5	7	5	0,3	F10	150	-100 °C to +250 °C
23710-31060806	A	IGLIDUR® X	6	8	6	0,5	F10	150	-100 °C to +250 °C
23710-31081008	A	IGLIDUR® X	8	10	8	0,5	F10	150	-100 °C to +250 °C
23710-31101210	A	IGLIDUR® X	10	12	10	0,5	F10	150	-100 °C to +250 °C
23710-31121410	A	IGLIDUR® X	12	14	10	0,8	F10	150	-100 °C to +250 °C
23710-31141615	A	IGLIDUR® X	14	16	15	0,8	F10	150	-100 °C to +250 °C
23710-31151720	A	IGLIDUR® X	15	17	20	0,8	F10	150	-100 °C to +250 °C
23710-31161820	A	IGLIDUR® X	16	18	20	0,8	F10	150	-100 °C to +250 °C
23710-31202320	A	IGLIDUR® X	20	23	20	0,8	F10	150	-100 °C to +250 °C
23710-31252820	A	IGLIDUR® X	25	28	20	0,8	F10	150	-100 °C to +250 °C
23710-31303430	A	IGLIDUR® X	30	34	30	0,8	F10	150	-100 °C to +250 °C