

## Item description/product images



Ball screw linear actuator with flange nut installed in a housing



## Description

**Material:**

Steel.

**Version:**

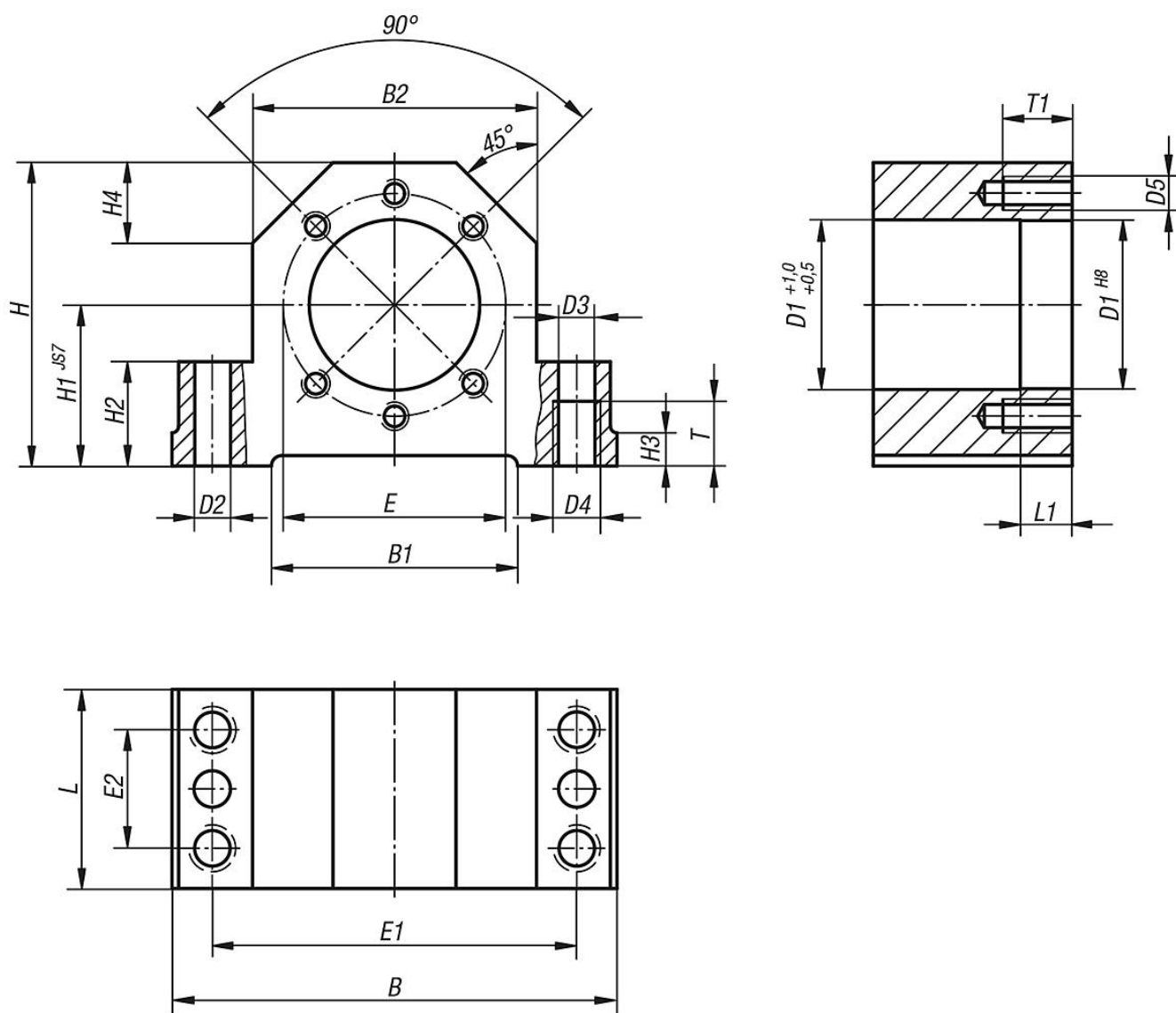
Black oxidised.

**Note:**

The housings are suitable for installing flange nuts acc. to DIN 69051 Part 5. The axis height of the spindle bearings is matched to the fixed bearing units 24072 and floating bearing units 24074. The housings can be screwed on from above or below and pinned with two taper pins or cylindrical pins.

Supplied with 6 fastening screws grade 8.8.

Drawings



Overview of items

Order No.	Suitable for spindle Ø	B	B1	B2	D1	D2	D3	D4	D5	E	E1	E2	H	H1	H2	H3	H4	L	L1	T	T1
24070-016	16	86	50	52	28	7,7	8,4	M10	M5	38	68	23	58	32	22	7	15	42	10	15	12
24070-020	20	94	58	60	36	7,7	8,4	M10	M6	47	77	25	64	34	22	7	17	46	16	15	15
24070-025	25	108	63	66	40	9,7	10,5	M12	M6	51	88	29	72	39	27	10	19	46	16	18	15
24070-032	32	112	70	72	50	9,7	10,5	M12	M8	65	92	29	82	42	27	10	19	49	16	18	20