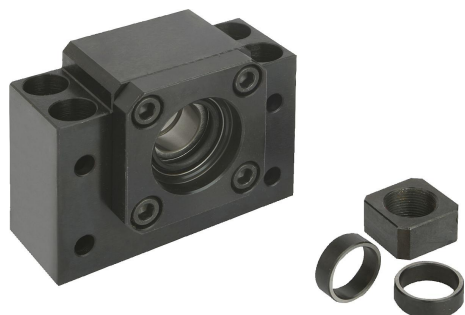


Item description/product images



Description

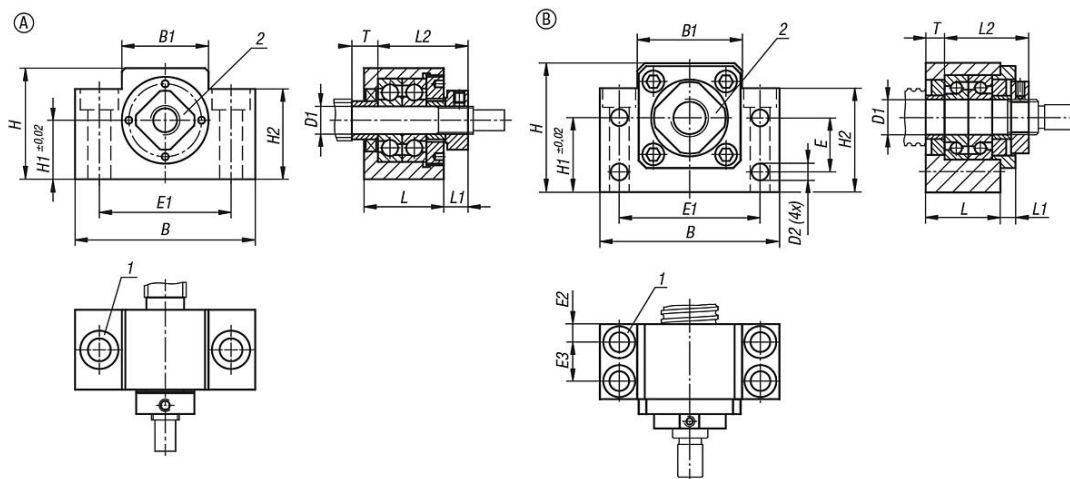
Material:
Housing steel.

Version:
Housing black oxidised.

Note:
The axis height of the spindle bearings is matched to the floating bearing unit 24078. The fixed bearing units are composed of a housing with 2 angular contact thrust ball bearings with seals. Preloaded by an initial flange. With backstops and a locknut.

Drawing reference:
1) C for socket head screw ISO 4762
2) M slotted nut

Drawings



Overview of items

Order No.	Form	Size	B	B1	C	D1	D2	E	E1	E2	E3	H	H1	H2	L	L1	L2	M	T
24076-006	A	6	52	25	M6	6	-	-	38	-	-	32	17	26	23	5	24	M6x0,75	5
24076-008	A	8	52	25	M6	8	-	-	38	-	-	32	17	26	23	7	26	M8x1	7,5
24076-010	B	10	60	34	M6	10	5,5	15	46	6	13	39	22	32,5	25	5	29	M10x1	5
24076-012	B	12	60	35	M6	12	5,5	18	46	6	13	43	25	35	25	5	29	M12x1	5
24076-015	B	15	70	40	M6	15	5,5	18	54	6	15	48	28	38	27	9	32	M15x1	6
24076-017	B	17	86	50	M8	17	6,6	28	68	8	19	64	39	55	35	8	44	M17x1	7
24076-020	B	20	88	52	M8	20	6,6	22	70	8	19	60	34	50	35	8	43	M20x1	8

Order No.	Dynamic load rating N	Static load rating N	Stiffness K (N/μm)
24076-006	-	-	-
24076-008	-	-	-
24076-010	6500	2800	95
24076-012	7000	3100	102
24076-015	7500	3500	114
24076-017	13000	5900	120
24076-020	16100	8400	145

