

Item description/product images



Description

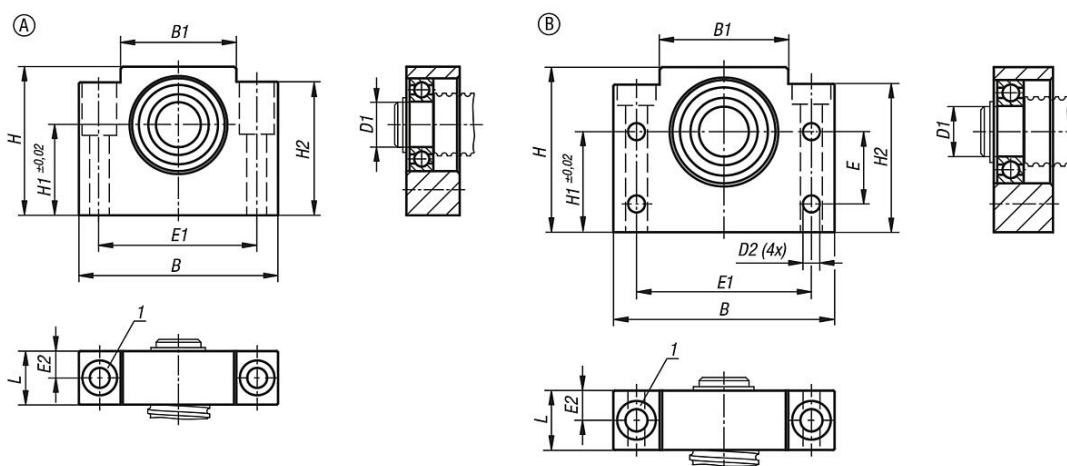
Material:
Housing steel.

Version:
Housing black oxidised.

Note:
The axis height of the spindle bearings is matched with the fixed bearing unit 24076. The floating bearing units consist of a housing with deep grooved ball bearing which adapts axially to the linear expansion of the spindle.

Drawing reference:
1) C for socket head screw ISO 4762

Drawings



Overview of items

Order No.	Form	Size	B	B1	C	D1	D2	E	E1	E2	H	H1	H2	L
24078-006	A	6	52	25	M6	6	-	-	38	7	32	17	26	14
24078-010	B	10	60	34	M6	8	5,5	15	46	10	39	22	32,5	20
24078-012	B	12	60	34	M6	10	5,5	18	46	10	43	25	35	20
24078-015	B	15	70	40	M6	15	5,5	18	54	10	48	28	38	20
24078-017	B	17	86	50	M8	17	6,6	28	68	11,5	64	39	55	23
24078-020	B	20	88	52	M8	20	6,6	22	70	13	60	34	50	26

Order No.	Dynamic load rating N	Static load rating N
24078-006	-	-
24078-010	3250	1400
24078-012	4550	1960
24078-015	5600	2840
24078-017	9500	4750
24078-020	9300	5000

