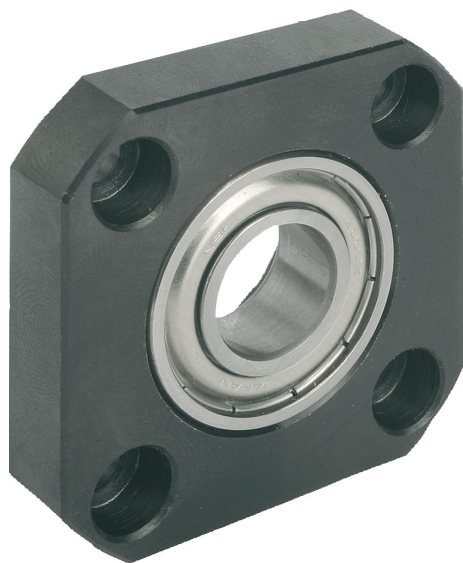


Item description/product images



Description

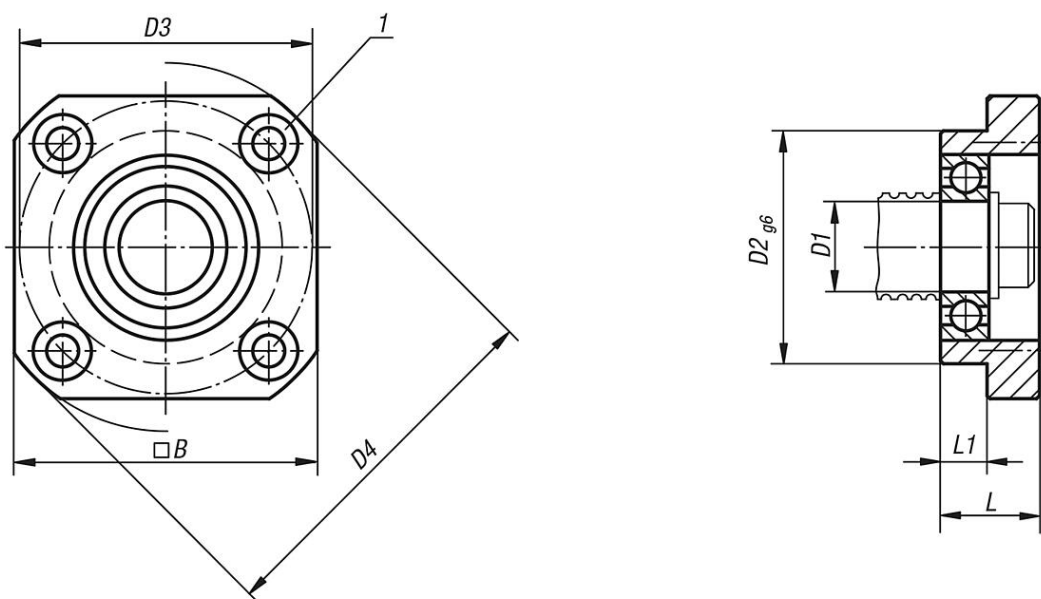
Material:
Housing steel.

Version:
Housing black oxidised.

Note:
The floating bearing unit is matched with the fixed bearing unit 24080. The floating bearing units consist of a housing with deep groove ball bearing which adapts axially to the linear expansion of the spindle.

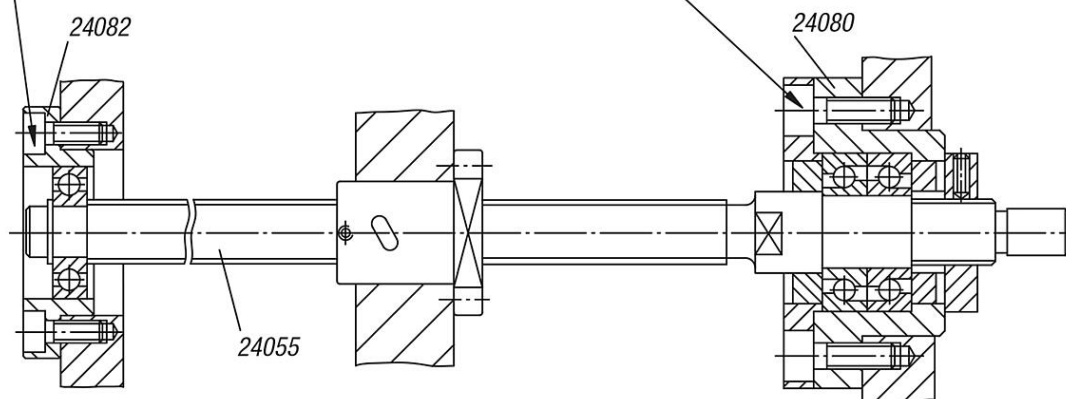
Drawing reference:
1) C for socket head screw ISO 4762

Drawings



Floating bearing fastened from outside

Fixed bearing fastened from inside



Overview of items

Order No.	Size	B	C	D1	D2	D3	D4	L	L1
24082-010	10	35	M3	8	28	35	43	12	5
24082-012	12	42	M4	10	34	42	52	15	8
24082-015	15	52	M5	15	40	50	63	17	8
24082-020	20	68	M6	20	57	70	85	20	9