

Item description/product images



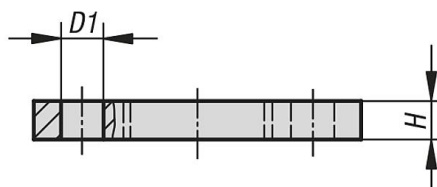
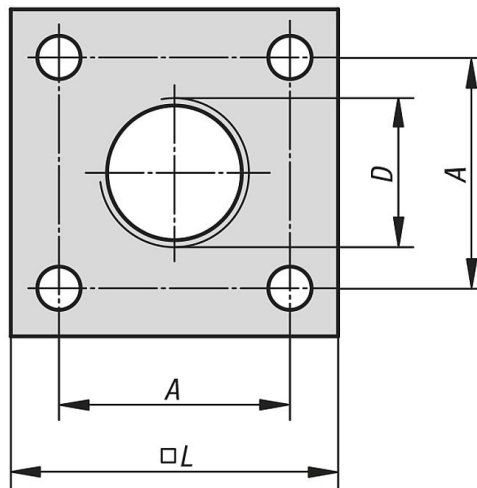
Description

Material:
Steel.

Version:
nickel-plated.

Note:
When using the mounting flange use a locknut to secure the shock absorber. The compact form allows for space saving designs.

Drawings



Overview of items

Order No.	A	D	D1	H	L
26320-08075	18	M8X0,75	3,2	4	25
26320-12100	18	M12X1	3,2	4	25
26320-14150	24	M14x1,5	4,5	4	34

Overview of items

Order No.	A	D	D1	H	L
26320-20150	28	M20X1,5	6,5	12	40
26320-25150	40	M25x1,5	9	12	54