

Item description/product images

**Description****Material:**

Body steel.

Cam levers cast aluminium.

Version:

Body black oxidised.

T-nut electro zinc-plated.

Cam levers black powder coated.

Note:

The clamp module is inserted into the T-slot from above and secured using the cam lever, no other tools required.

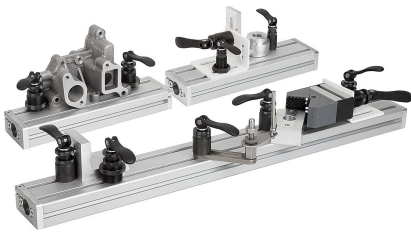
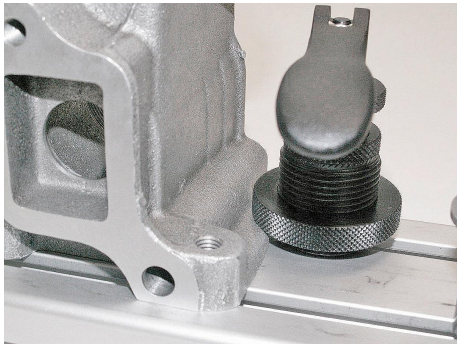
Advantages:

The eccentric clamp modules can be used on conventional aluminium profile systems or on T-slot tables as stops, fasteners or clamps for components and workpieces.

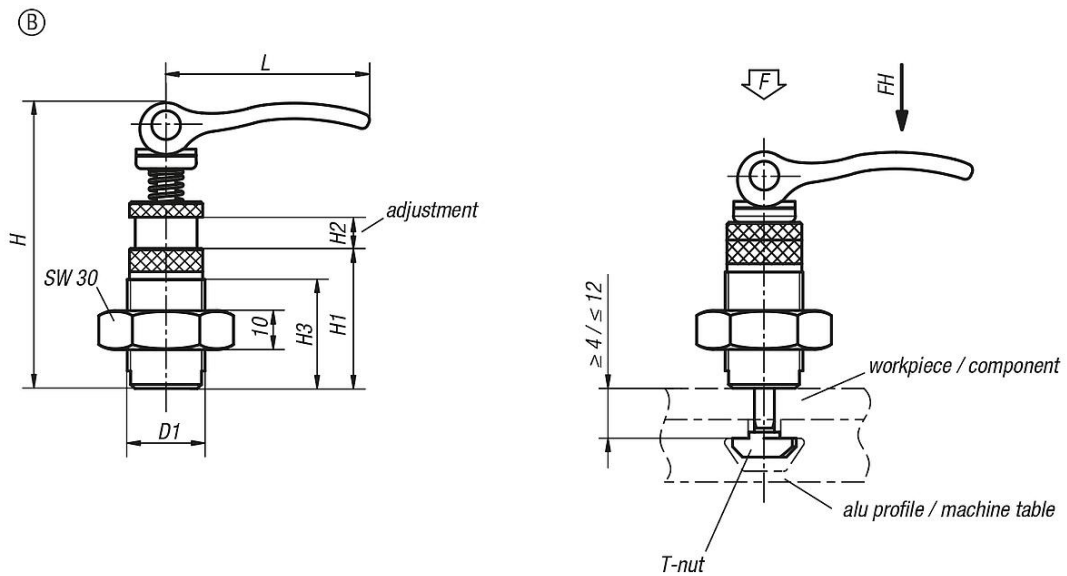
Item description/product images



Item description/product images



Drawings



Overview of items

Order No.	Form	D1	H	H1	H2	H3	L	suitable for slot width	Clamping force F (kN)	Hand force FH N
10500-10200808	B	M20x1,5	73,5	36	8	28	52,3	8	2,5	100