

## Item description/product images

**Description****Material:**

Body steel.

Cam levers cast aluminium.

**Version:**

Body black oxidised.

T-nut electro zinc-plated.

Cam levers black powder coated.

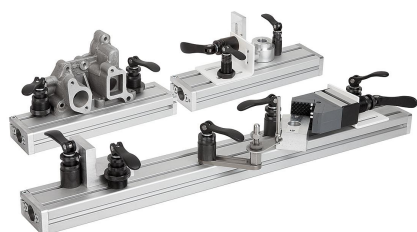
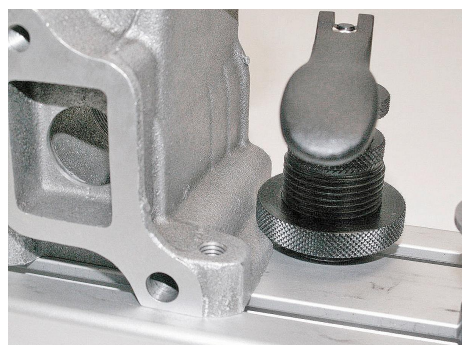
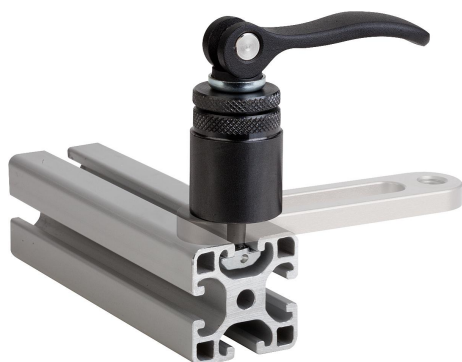
**Note:**

The clamp module is inserted into the T-slot from above and secured using the cam lever, no other tools required.

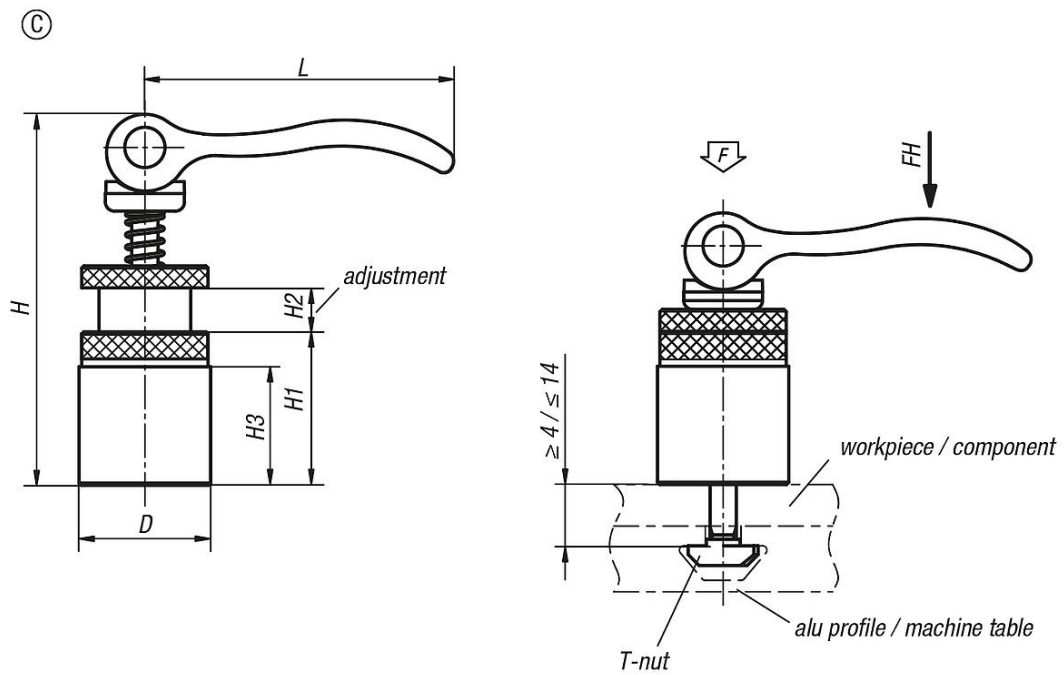
**Advantages:**

The eccentric clamp modules can be used on conventional aluminium profile systems or on T-slot tables as stops, fasteners or clamps for components and workpieces.

Item description/product images



## Drawings



## Overview of items

Order No.	Form	D	H	H1	H2	H3	L	suitable for slot width	Clamping force F (kN)	Hand force FH N
10500-21150606	C	15	34	10	6	7	35	6	1,5	90
10500-21201008	C	20	44	13	8	10	52	8	2,5	100
10500-21301008	C	30	84,6	35	10	25	70,4	8	4	120